



US009112304B2

(12) **United States Patent**
Rohrbach et al.

(10) **Patent No.:** **US 9,112,304 B2**

(45) **Date of Patent:** ***Aug. 18, 2015**

(54) **MAGNETIC CONNECTOR FOR ELECTRONIC DEVICE**

(71) Applicant: **Apple Inc.**, Cupertino, CA (US)

(72) Inventors: **Matthew Dean Rohrbach**, San Francisco, CA (US); **Mark Edward Douitt**, San Jose, CA (US); **Bartley K. Andre**, Menlo Park, CA (US); **Kanye Lim**, Sunnyvale, CA (US); **John C. DiFonzo**, Emerald Hills, CA (US); **Jean-Marc Gery**, Playa Del Rey, CA (US)

(73) Assignee: **Apple Inc.**, Cupertino, CA (US)

(*) Notice: Subject to any disclaimer, the term of this patent is extended or adjusted under 35 U.S.C. 154(b) by 0 days.

This patent is subject to a terminal disclaimer.

(21) Appl. No.: **14/218,907**

(22) Filed: **Mar. 18, 2014**

(65) **Prior Publication Data**

US 2014/0285957 A1 Sep. 25, 2014

Related U.S. Application Data

(63) Continuation of application No. 13/615,623, filed on Sep. 14, 2012, now Pat. No. 8,690,582, which is a continuation of application No. 13/421,863, filed on Mar. 16, 2012, now Pat. No. 8,435,042, which is a

(Continued)

(51) **Int. Cl.**

H01R 11/30 (2006.01)

H01R 13/62 (2006.01)

(Continued)

(52) **U.S. Cl.**

CPC **H01R 13/6205** (2013.01); **G06F 1/1633** (2013.01); **G06F 1/18** (2013.01); **Y10T 29/49117** (2015.01)

(58) **Field of Classification Search**

CPC H01R 13/6205; H01R 11/30

USPC 439/39, 38, 40

See application file for complete search history.

(56) **References Cited**

U.S. PATENT DOCUMENTS

2,170,287 A 8/1939 Kinnebrew

2,234,982 A 3/1941 Ross

(Continued)

FOREIGN PATENT DOCUMENTS

CA 2122915 A1 3/1994

DE 3904708 C1 1/1990

(Continued)

OTHER PUBLICATIONS

Office Action mailed Apr. 18, 2014 in U.S. Appl. No. 13/458,853, 12 pages.

(Continued)

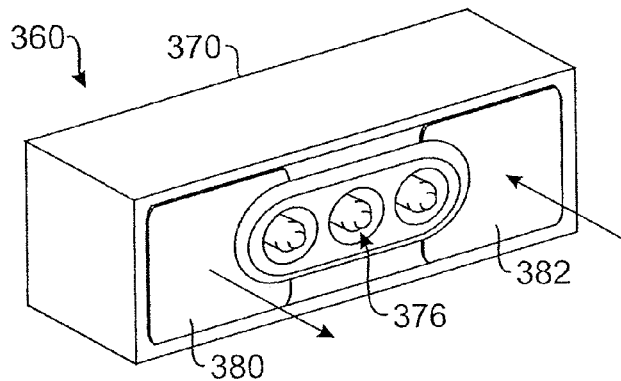
Primary Examiner — Gary Paumen

(74) *Attorney, Agent, or Firm* — Kilpatrick Townsend & Stockton LLP

(57) **ABSTRACT**

An electrical plug and receptacle relying on magnetic force from an electromagnet to maintain contact are disclosed. The plug and receptacle can be used as part of a power adapter for connecting an electronic device, such as a laptop computer, to a power supply. The plug includes electrical contacts, which are preferably biased toward corresponding contacts on the receptacle. The plug and receptacle each have a magnetic element. The magnetic element on one of the plug or receptacle can be a magnet or ferromagnetic material. The magnetic element on the other of the plug or receptacle is an electromagnet. When the plug and receptacle are brought into proximity, the magnetic attraction between the electromagnet magnet and its complement, whether another magnet or a ferromagnetic material, maintains the contacts in an electrically conductive relationship.

20 Claims, 9 Drawing Sheets



Related U.S. Application Data

continuation of application No. 13/325,024, filed on Dec. 13, 2011, now Pat. No. 8,177,560, which is a continuation of application No. 13/028,195, filed on Feb. 15, 2011, now Pat. No. 8,087,939, which is a continuation of application No. 12/581,010, filed on Oct. 16, 2009, now Pat. No. 7,901,216, which is a continuation of application No. 12/410,457, filed on Mar. 24, 2009, now Pat. No. 7,645,143, which is a continuation of application No. 11/876,733, filed on Oct. 22, 2007, now Pat. No. 7,517,222, which is a continuation of application No. 11/235,875, filed on Sep. 26, 2005, now Pat. No. 7,311,526.

- (51) **Int. Cl.**
G06F 1/16 (2006.01)
G06F 1/18 (2006.01)

- (56) **References Cited**

U.S. PATENT DOCUMENTS

3,144,527	A	8/1964	Tolegian	6,561,815	B1	5/2003	Schmidt
3,363,214	A	1/1968	Wright	6,565,363	B2	5/2003	Downing
3,431,428	A	3/1969	Valer	6,595,801	B1	7/2003	Leonard et al.
3,521,216	A	7/1970	Tolegian	6,607,391	B2	8/2003	Mendelson et al.
3,713,370	A	1/1973	Prijn	6,616,468	B2	9/2003	Sakiyama
3,786,391	A	1/1974	Mathauser	6,623,276	B2	9/2003	Damau Ferrerfabrega
3,808,577	A	4/1974	Mathauser	6,727,477	B1	4/2004	Li-Chen
3,810,258	A	5/1974	Mathauser	6,733,333	B1	5/2004	Chen
3,868,160	A	2/1975	Kersman	6,773,312	B2	8/2004	Bauer et al.
4,211,456	A	7/1980	Sears	6,814,626	B2	11/2004	Wen-Yao
4,317,969	A	3/1982	Riegler et al.	6,815,610	B2	11/2004	Kuboshima et al.
4,669,791	A	6/1987	Savill	6,821,126	B2	11/2004	Neidlein
4,712,234	A	12/1987	Below et al.	6,966,781	B1	11/2005	Bullinger et al.
4,810,202	A	3/1989	Nodfelt	6,976,882	B2	12/2005	Kernan
4,844,582	A	7/1989	Giannini	6,988,897	B2	1/2006	Belongia et al.
5,382,167	A	1/1995	Janson, Jr.	6,991,483	B1	1/2006	Milan
5,385,476	A	1/1995	Jasper	7,032,288	B2	4/2006	Ladd
5,692,786	A	12/1997	Berger	7,066,739	B2	6/2006	McLeish
5,696,861	A	12/1997	Schimmeyer	7,112,103	B2	9/2006	Zhang et al.
5,704,802	A	1/1998	Loudermilk	7,121,707	B2	10/2006	Currie et al.
5,812,356	A	9/1998	O'Connor	7,198,295	B2	4/2007	Biziorek et al.
5,829,987	A	11/1998	Fritsch et al.	7,217,142	B1	5/2007	Wu
5,865,645	A	2/1999	Embo et al.	7,247,046	B1	7/2007	Wu
5,885,100	A	3/1999	Talend et al.	7,264,479	B1	9/2007	Lee
5,921,783	A	7/1999	Fritsch et al.	7,306,479	B1	12/2007	Wu
5,941,729	A	8/1999	Sri-Jayantha	7,311,526	B2	12/2007	Rohrbach et al.
5,954,520	A	9/1999	Schmidt	7,329,128	B1	2/2008	Awad
6,007,363	A	12/1999	Renk	7,332,990	B2	2/2008	Lo et al.
6,030,229	A	2/2000	Tsutsui	7,351,066	B2	4/2008	DiFonzo et al.
6,042,385	A	3/2000	Watanabe et al.	7,364,433	B2	4/2008	Neidlein
6,088,752	A	7/2000	Ahern	7,419,378	B2	9/2008	Ha et al.
6,094,122	A	7/2000	Sexton	7,429,188	B2	9/2008	Wu
6,165,006	A	12/2000	Yeh et al.	7,445,452	B1	11/2008	Wu
6,174,194	B1	1/2001	Bleicher et al.	7,497,693	B1	3/2009	Wu
6,183,264	B1	2/2001	Harsanyi	7,498,546	B2	3/2009	Belongia et al.
6,211,581	B1	4/2001	Farrant	7,517,222	B2	4/2009	Rohrbach et al.
6,217,339	B1	4/2001	Tsubata	7,625,213	B1	12/2009	Tse
6,219,267	B1	4/2001	Andres	7,641,477	B2	1/2010	DiFonzo et al.
6,238,219	B1	5/2001	Wu	7,645,143	B2	1/2010	Rohrbach et al.
6,250,931	B1	6/2001	Mendelson	7,717,733	B1	5/2010	Yi et al.
6,267,602	B1	7/2001	Mendelson et al.	7,775,801	B2	8/2010	Shiff et al.
6,340,302	B1	1/2002	Ladd	7,901,216	B2	3/2011	Rohrbach et al.
6,358,069	B2	3/2002	Yoshioka et al.	7,931,472	B2	4/2011	David et al.
6,419,521	B2	7/2002	Kanagawa et al.	7,963,773	B2	6/2011	Palli et al.
6,431,902	B1	8/2002	Yeh	8,043,123	B2	10/2011	Hsieh
6,464,509	B1	10/2002	Emberty et al.	8,087,939	B2	1/2012	Rohrbach et al.
6,466,718	B1	10/2002	Linnell	8,172,580	B1	5/2012	Chen et al.
6,478,614	B1	11/2002	De'Longhi	8,177,560	B2	5/2012	Rohrbach et al.
6,485,338	B1	11/2002	Wu	8,241,043	B1	8/2012	Lin
6,522,033	B1	2/2003	Nevo	8,342,857	B2	1/2013	Palli et al.
6,527,570	B1	3/2003	Hartman et al.	8,435,042	B2	5/2013	Rohrbach et al.
6,528,746	B2	3/2003	DeWitt et al.	8,497,753	B2	7/2013	DiFonzo et al.
6,545,577	B2	4/2003	Yap	8,535,088	B2	9/2013	Gao et al.
				8,690,582	B2	4/2014	Rohrbach et al.
				2002/0002004	A1	1/2002	Akama et al.
				2002/0044746	A1	4/2002	Kronlund et al.
				2002/0054686	A1	5/2002	Tabata et al.
				2002/0123250	A1	9/2002	Wang
				2003/0148643	A1	8/2003	Yoji
				2004/0077187	A1	4/2004	Belongia et al.
				2004/0184295	A1	9/2004	Robertson et al.
				2004/0209489	A1	10/2004	Clapper
				2004/0224539	A1	11/2004	Boyd et al.
				2004/0257741	A1	12/2004	Cuny et al.
				2005/0082915	A1	4/2005	Steinberg
				2005/0208783	A1	9/2005	Suzki et al.
				2005/0255718	A1	11/2005	McLeish
				2005/0255719	A1	11/2005	Heidlein
				2006/0051981	A1	3/2006	Neidlein et al.
				2006/0067690	A1	3/2006	Tatum et al.
				2006/0164447	A1	7/2006	Poole et al.
				2007/0067654	A1	3/2007	Adachi
				2007/0072443	A1	3/2007	Rohrbach et al.
				2007/0085516	A1	4/2007	Fenwick et al.
				2007/0107068	A1	5/2007	Kelley et al.
				2007/0112989	A1	5/2007	Iwaki
				2007/0184674	A1	8/2007	Koch
				2008/0211310	A1	9/2008	Jitaru et al.
				2009/0142962	A1	6/2009	Zhang

(56)

References Cited

U.S. PATENT DOCUMENTS

2009/0269943	A1	10/2009	Palli et al.	
2010/0080563	A1	4/2010	DiFonzo et al.	
2011/0092081	A1	4/2011	Gao et al.	
2011/0136350	A1	6/2011	Palli et al.	
2012/0148196	A1	6/2012	Penumatcha et al.	
2012/0295451	A1	11/2012	Hyun-Jun et al.	
2013/0005159	A1	1/2013	Gao et al.	
2013/0040470	A1	2/2013	Gao et al.	
2013/0065406	A1	3/2013	Rohrbach et al.	
2013/0316549	A1	11/2013	DiFonzo et al.	
2014/0235075	A1*	8/2014	Kim et al.	439/39
2014/0285957	A1*	9/2014	Rohrbach et al.	361/679.02
2014/0287601	A1*	9/2014	Suh	439/39

FOREIGN PATENT DOCUMENTS

DE	195 12 335	C1	8/1996
DE	3622948	A1	1/1998
DE	19820691	A1	2/1999
DE	102 42 645	A1	3/2004
DE	20 2004 003 202	U1	6/2004
DE	103 33 403	A1	9/2004
DE	202010002522	U1	7/2010
EP	0 112 019	A1	6/1984
EP	0 289 208	A2	11/1988
EP	0 573 471	B1	10/1994
EP	1 194 986	B1	9/2003
FR	2 566 195	A1	12/1985
FR	2 638 907	A1	5/1990
FR	2665305	A1	1/1992
FR	2 685 981	A1	7/1993
GB	1232922	B1	5/1971
GB	2174556	A	11/1986
GB	2 360 637	A	9/2001
GB	2383476	A	6/2003
JP	50-9990	B	4/1975
JP	03-059973		3/1991
JP	4-296475	A	10/1992
JP	05-335051		12/1993
JP	7-6817	A	1/1995
JP	11-09467	A	1/1999
JP	11-144803	A	5/1999
JP	11-273770	A	10/1999
JP	2000/12145	A	1/2000
JP	2000/30806	A	1/2000
JP	2002/056929	A	2/2002
JP	2002-270279	A	9/2002
JP	2002/367724	A	12/2002
JP	2003/082519	A	3/2003
JP	2004/206973	A	7/2004
WO	92/16002	A1	9/1992
WO	94/06174	A1	3/1994
WO	95/06970	A1	3/1995
WO	2004/027937	A1	4/2004
WO	2004/095647	A1	11/2004
WO	2005/006913	A1	1/2005
WO	2011/049838	A1	4/2011

OTHER PUBLICATIONS

"Presto 9984 Control Master Heat Control with Magnetic Cord," obtained from <http://www.cookingandcanning.net/pr99comaheco.html>, generated Jan. 18, 2006, 1-pg.

National Presto Industries, Inc., "Magnetic Cord for Electric Deep Fryers," obtained from <http://www.gopresto.com/products/products1.php?stock=09982>, generated Jan. 18, 2006, 1-pg.

Dowell Trading Co, Ltd., "News for Break Away Power Cords on Electric Deep Fryers," copyright 2002, 1-pg.

CNN.com, "Break-away cord aims to make deep fryers safer," obtained from <http://larchives.cnn.com/2001/US/07/03/deep.fryers/>, dated Jul. 4, 2001, 2-pgs.

"Zojirushi Hot Water Dispensing Pot Review," obtained from <http://www.pkshiu.com/lof/archive/2005/01/zojirusji-hot-water-dispensing-pot-review>, dated Jan. 5, 2005, 2-pgs.

U.S. Consumer Product Safety Commission, "Consumer Product Safety Review," Winter 2002, vol. 6, No. 3, total of 12-pgs., see p. 5. English Abstract of JP2002056929 to Zojirushi Corp, obtained from <http://esp@cenet.com>, 1-pg.

Search/Examination Report dated Aug. 3, 2009 from European Patent Application No. 09159211.3, 8 pages.

Search/Examination Report dated Dec. 6, 2010 from European Patent Application 10 011 084.0.24.

Search/Examination Report dated Dec. 3, 2010 from European Patent Application 10 011 081.6.

Search/Examination Report dated Mar. 3, 2011 from Great Britain Patent Office; GB1101348.9.

International Search Report dated Dec. 12, 2006 from PCT Patent Application No. PCT/US2006/031525.

Search/Examination Report dated Dec. 6, 2010 from European Patent Application 10 011 082.4.

Partial Search Report dated Dec. 6, 2010 from European Patent Application 10 011 083.2.

Search/Examination Report dated Mar. 30, 2011 from European Patent Application 10 011 083.2.

Partial Search Report dated Dec. 6, 2010 from European Patent Application 10 011 084.0.

Search/Examination Report dated Mar. 30, 2011 from European Patent Application 10 011 084.0.

Search/Examination Report dated Oct. 19, 2011 from European Patent Application 11176682.0.

International Search Report dated Sep. 25, 2012, from PCT Patent Application No. PCT/US2012/045056, 11 pages.

International Search Report dated Oct. 17, 2012, from PCT Patent Application No. PCT/US2012/049870, 16 pages.

Office Action in related U.S. Appl. No. 12/633,765, dated Jul. 26, 2011.

Office Action in related U.S. Appl. No. 12/633,765, dated Jun. 9, 2010.

Office Action in related U.S. Appl. No. 12/633,765, dated Jan. 7, 2011.

Office Action in related U.S. Appl. No. 12/633,765, dated Mar. 15, 2012.

Translation of DE 20 2010 002 522 U1, Chen Ming Jen [TW]; Voit Stegan [DE], Jul. 8, 2010, pp. 1-6.

Office Action dated Jan. 2, 2013 for U.S. Appl. No. 13/615,623, 7 pages.

Final Office Action mailed on May 14, 2013 for U.S. Appl. No. 13/615,623, 6 pages.

Notice of Allowance mailed on Nov. 20, 2013 for U.S. Appl. No. 13/615,623, 7 pages.

Anonymous; "Merkmalsanalyse Anspruch 1," MC10728E/EP, 1 page.

European Search Report mailed on Aug. 4, 2009 for EP Patent Application No. 09159211.3, 7 pages.

European Search/Examination Report mailed on Oct. 17, 2013 for EP Patent Application No. 13177584.3, 6 pages.

Wikipedia; "Ferromagnetismus," German language reference; Aug. 22, 2012; located at <http://de.wikipedia.org/wiki/Ferromagnetismus>; 3 pages.

Wikipedia; "Magnet," German language reference; Aug. 22, 2012; located at <http://de.wikipedia.org/wiki/Magnet>; 5 pages.

* cited by examiner

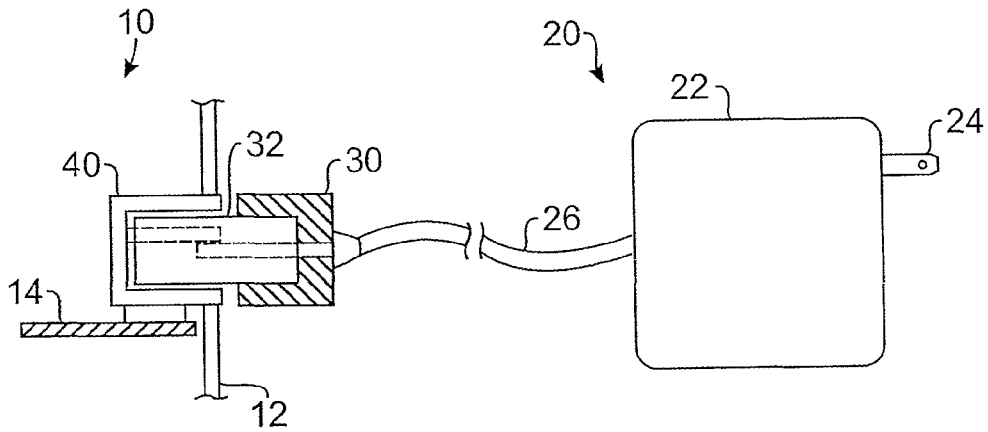


FIG. 1
(Prior Art)

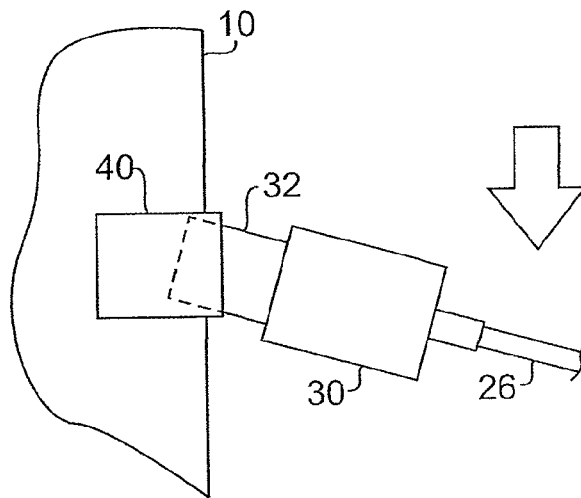


FIG. 2
(Prior Art)

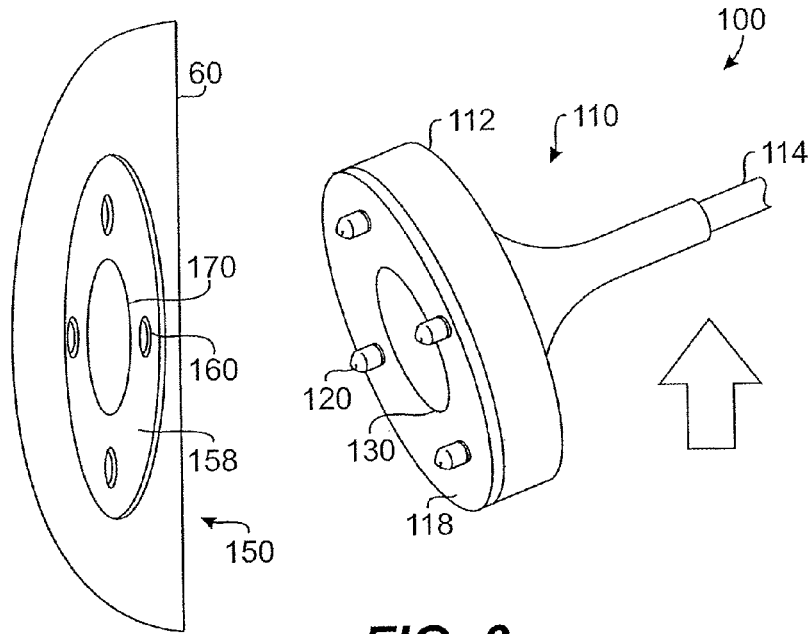


FIG. 6

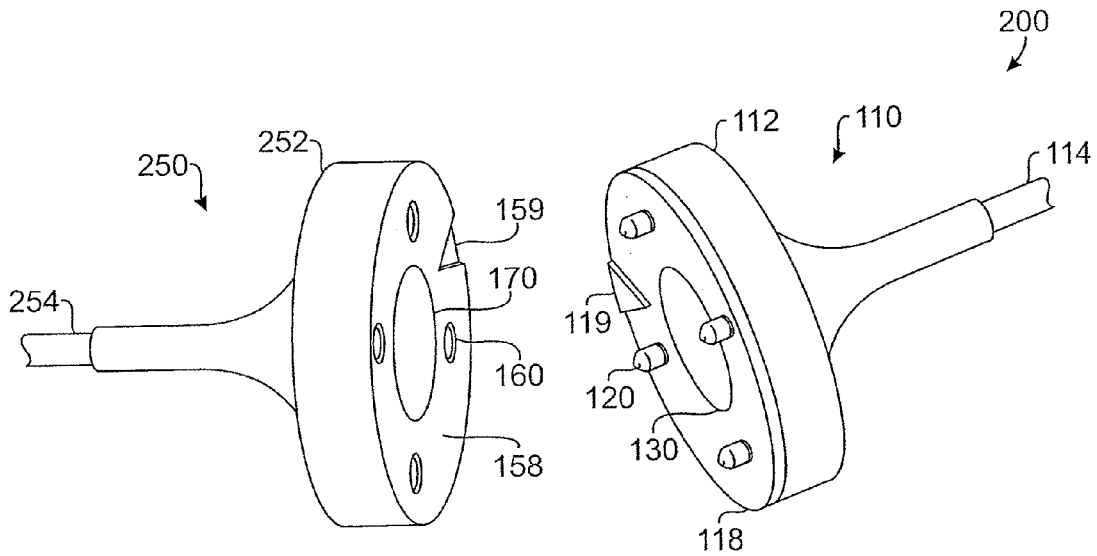


FIG. 7

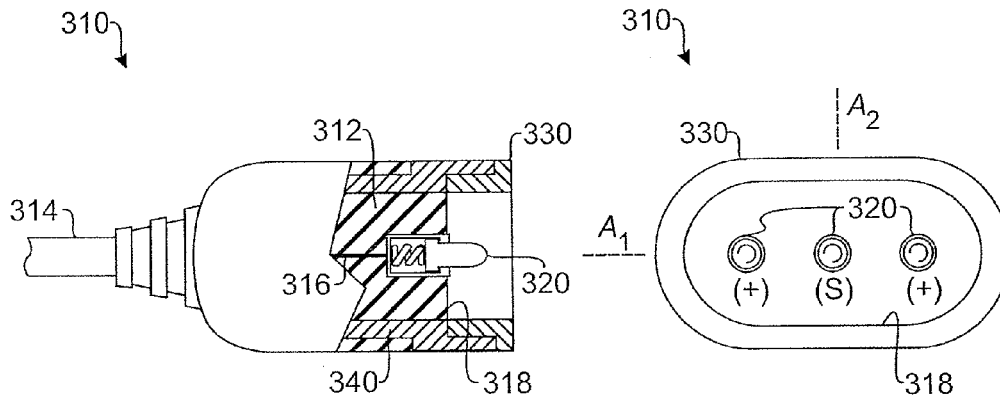


FIG. 8A

FIG. 8B

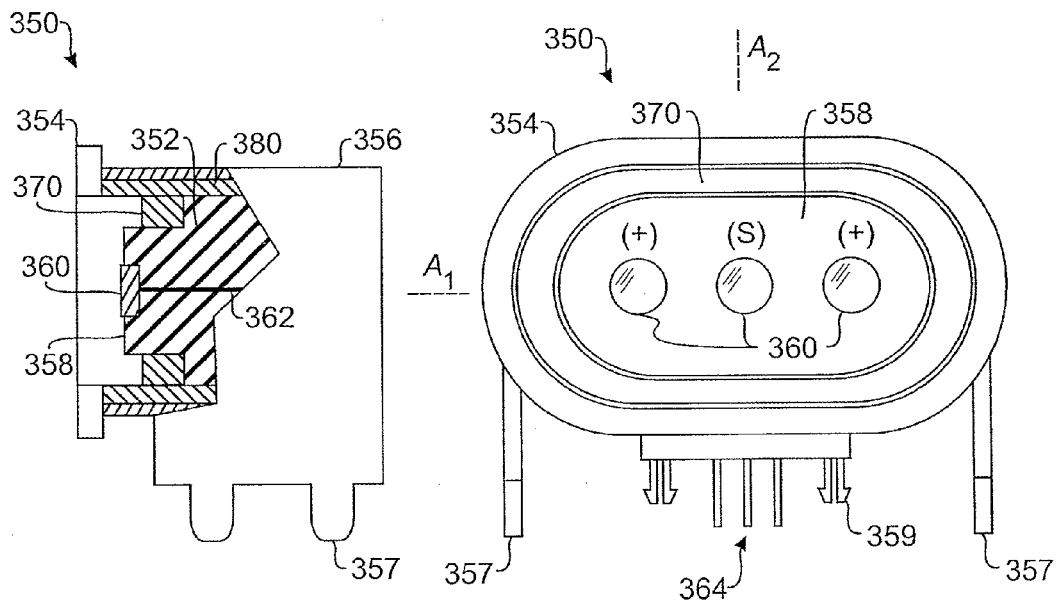


FIG. 9A

FIG. 9B

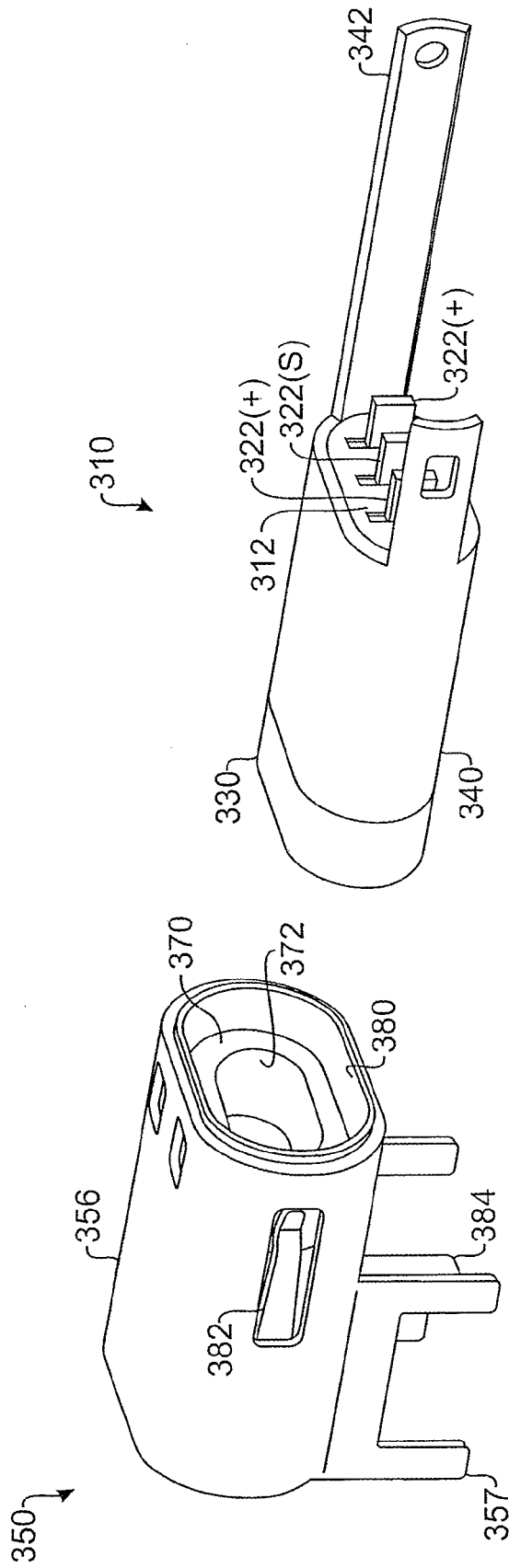


FIG. 10

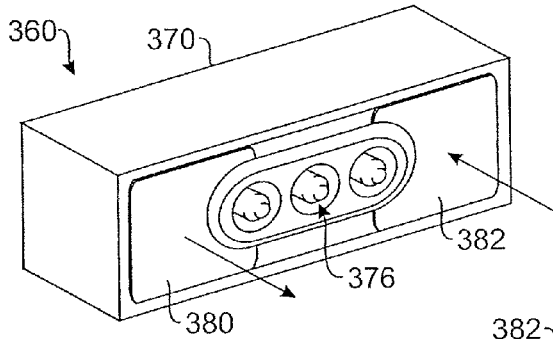


FIG. 11A

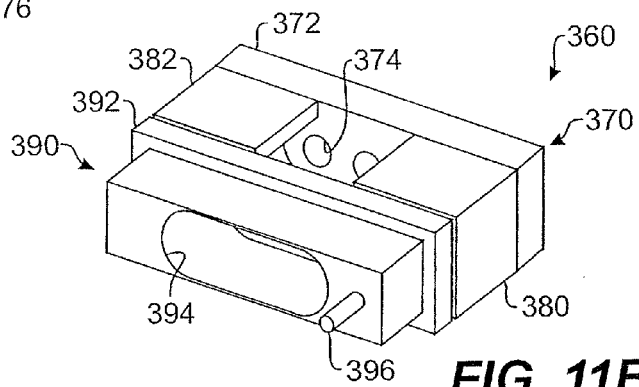


FIG. 11B

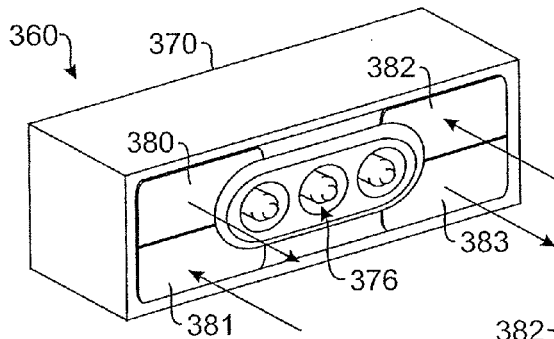


FIG. 12A

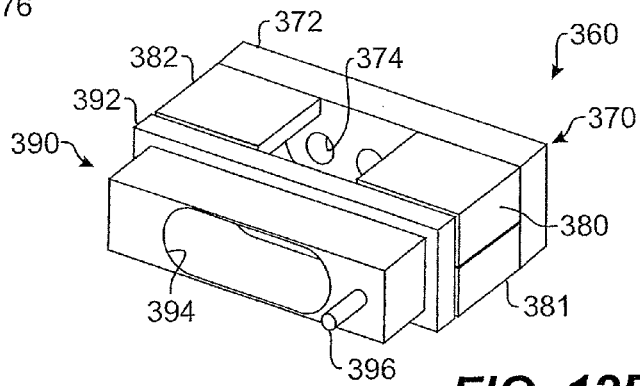


FIG. 12B

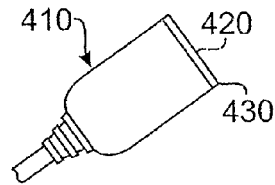
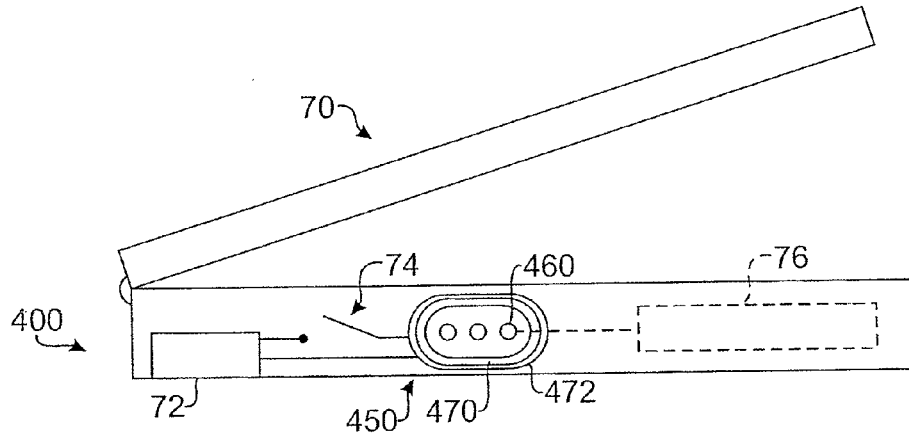


FIG. 13A

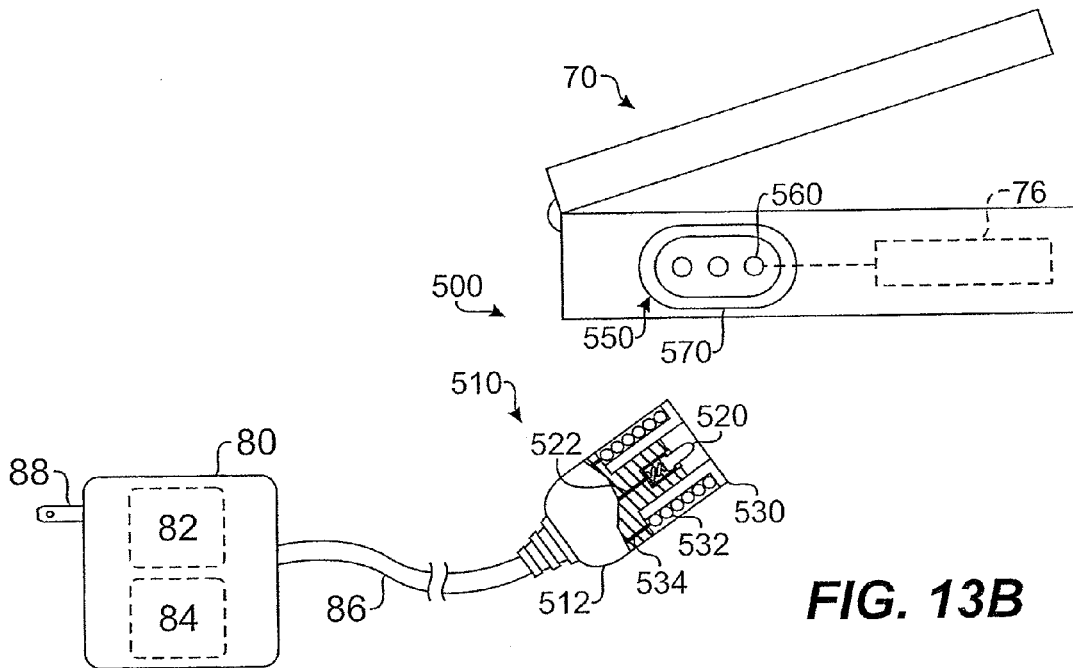


FIG. 13B

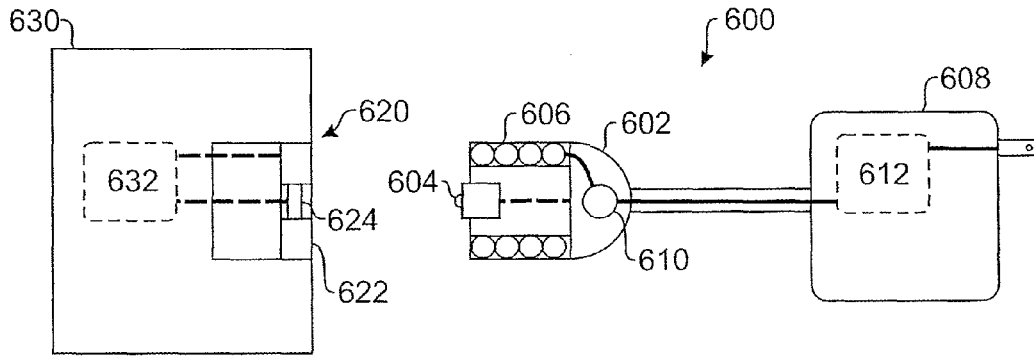


FIG. 14

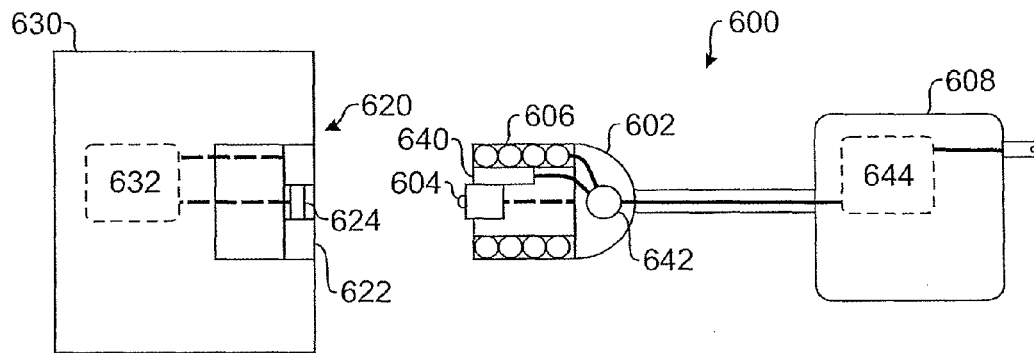


FIG. 15

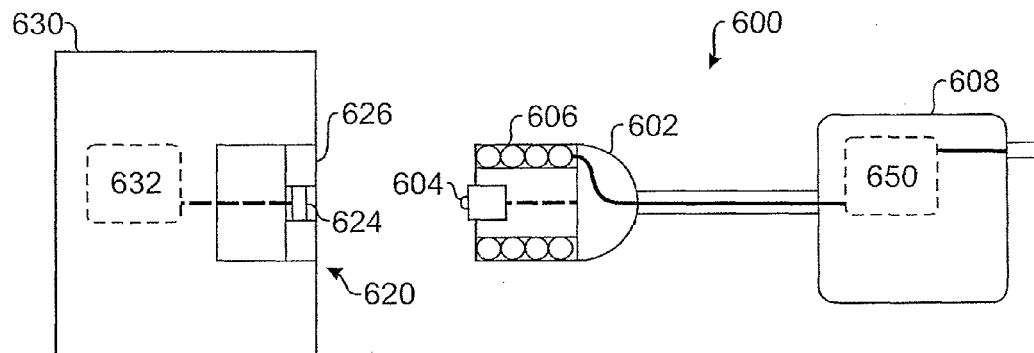


FIG. 16

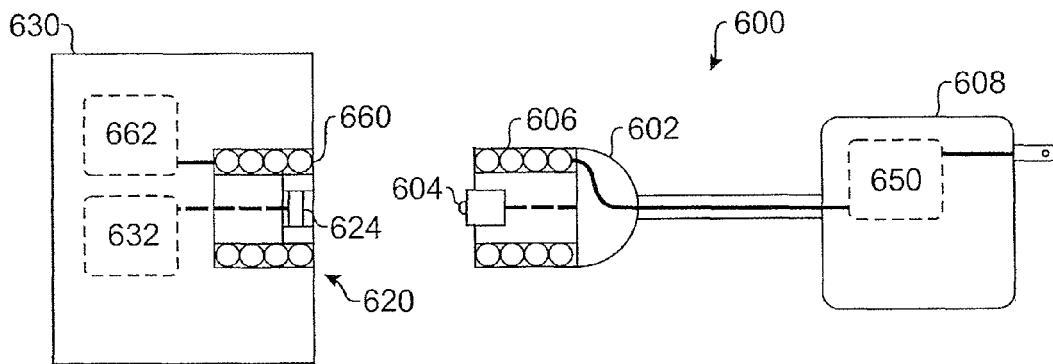


FIG. 17

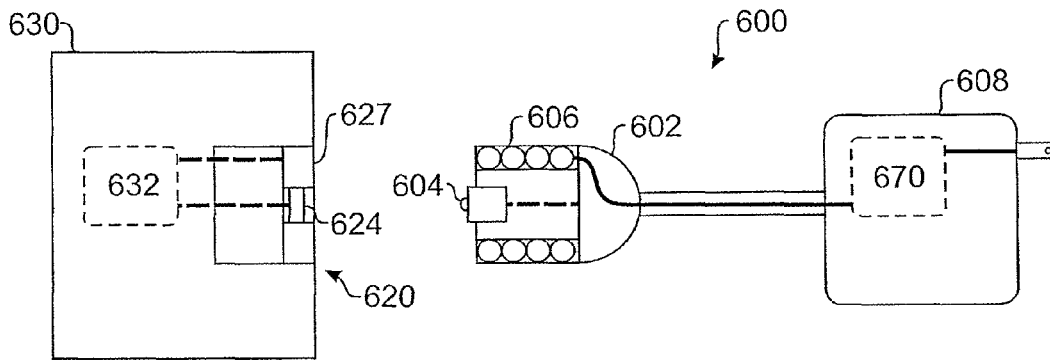


FIG. 18

1

MAGNETIC CONNECTOR FOR ELECTRONIC DEVICE

CROSS-REFERENCE TO RELATED APPLICATIONS

This application is a continuation of U.S. patent application Ser. No. 13/615,623, filed Sep. 14, 2012, which is a continuation of U.S. patent application Ser. No. 13/421,863, filed Mar. 16, 2012, now U.S. Pat. No. 8,435,042, which is a continuation of U.S. patent application Ser. No. 13/325,024, filed Dec. 13, 2011, now U.S. Pat. No. 8,177,560, which is a continuation of U.S. patent application Ser. No. 13/028,195, filed Feb. 15, 2011, now U.S. Pat. No. 8,087,939, which is a continuation of U.S. application Ser. No. 12/581,010 filed Oct. 16, 2009, now U.S. Pat. No. 7,901,216, which is a continuation of U.S. patent application Ser. No. 12/410,457, filed Mar. 24, 2009, now U.S. Pat. No. 7,645,143, which is a continuation of U.S. patent application Ser. No. 11/876,733, filed Oct. 22, 2007, now U.S. Pat. No. 7,517,222, which is a continuation of U.S. patent application Ser. No. 11/235,875, filed Sep. 26, 2005, now U.S. Pat. No. 7,311,526, which are incorporated by reference.

FIELD OF THE DISCLOSURE

The subject matter of the present disclosure generally relates to a magnetic connector for an electronic device and more particularly relates to an electromagnetic connector for a power adapter connecting a laptop computer to a power supply.

BACKGROUND OF THE DISCLOSURE

Electronic devices, such as laptop computers, typically use DC power supplied from a transformer connected to a conventional AC power supply. Referring to FIG. 1, a power adapter 20 according to the prior art is illustrated. The power adapter 20 has a transformer 22, a power cable 26, a male connector 30, and a female connector 40. The transformer 22 has a plug 24 for connecting to a conventional AC power outlet (not shown), and the male connector 30 is connected to the transformer 22 by power cable 26. The female connector 40 is typically attached to the housing 12 of an electronic device 10, such as a laptop computer, and is typically attached to a printed circuit board 14 of the internal electronics of the device 10. To make the conventional power connection between the transformer 22 and the device 10, the male connector 30 has a male end 32 that inserts into the female connector 40. Connectors for portable computers are preferably as small as possible and low profile for today's thin notebooks.

Damage can occur to the conventional power connection in a number of ways. In one example, simply inserting the male connector 30 into the female connector 40 can cause damage. In another example shown in FIG. 2, damage can occur when any of the components (e.g., the device 10, male connector 30, transformer 22, etc.) is inadvertently pulled away from other components by a non-axial force while the male and female connectors 30 and 40 are still connected together. In addition to conventional power connections, damage of other types of connections to electronic devices can also occur in the same ways described above.

In general, the surface area of two magnetically attracted halves determines the number of magnetic flux lines and therefore the holding force between them because the holding force is proportional to the contact area between the two

2

magnetically attracted halves. Thus, to have a strong force holding the two magnetically attracted halves together, the two magnetically attracted halves want to be as large as possible.

5 The subject matter of the present disclosure is directed to overcoming, or at least reducing the effects of, one or more of the problems set forth above.

SUMMARY OF THE DISCLOSURE

10 A magnetic connector that relies on magnetic force for maintaining contact is disclosed. The magnetic connector includes a plug and a receptacle. In one embodiment, the plug and receptacle can be used as part of a power adapter for connecting an electronic device, such as a laptop computer, to a transformer connectable to a power supply. The plug includes a plurality of electrical pins, which are preferably biased towards a corresponding plurality of contacts positioned on the receptacle. The plug and receptacle each have a magnetic element. The magnetic element on one or both of the plug and receptacle can be a magnet, which is preferably a permanent rare earth magnet although electromagnets may also be used. A ferromagnetic element can be used for the magnetic element on the plug or receptacle that does not include a magnet. When the plug and receptacle are brought into proximity, the magnetic attraction between the magnet and its complement, whether another magnet or a ferromagnetic material, magnetically couples the plug and the receptacle and maintains the pins and contacts in an electrically conductive relationship. The magnetic connector allows the plug to break away from the receptacle if the plug or receptacle is inadvertently moved (with sufficient force) while still connected.

25 The foregoing summary is not intended to summarize each potential embodiment or every aspect of the present disclosure.

BRIEF DESCRIPTION OF THE DRAWINGS

30 The foregoing summary, preferred embodiments, and other aspects of subject matter of the present disclosure will be best understood with reference to a detailed description of specific embodiments, which follows, when read in conjunction with the accompanying drawings, in which:

35 FIG. 1 illustrates a power adapter having a power connection according to the prior art.

FIG. 2 illustrates a type of possible damage resulting from the prior art power connection.

40 FIG. 3 illustrates a cross-sectional view of an embodiment of a magnetic connector according to certain teachings of the present disclosure.

FIG. 4 illustrates a front view of a receptacle of the magnetic connector of FIG. 3.

45 FIG. 5 illustrates a front view of a plug of the magnetic connector of FIG. 3.

FIG. 6 illustrates an ability of the disclosed magnetic connector to prevent possible damage.

FIG. 7 illustrates an alternative embodiment of the magnetic connector of FIG. 3.

50 FIGS. 8A-8B illustrate a plug of another embodiment of a magnetic connector according to certain teachings of the present disclosure.

FIGS. 9A-9B illustrate a receptacle for the plug of the disclosed magnetic connector of FIGS. 8A-8B.

65 FIG. 10 illustrates a perspective view of the plug and receptacle for the disclosed magnetic connector of FIGS. 8A-8B and 9A-9B.

3

FIGS. 11A-11B illustrate an embodiment of a magnetic connector according to certain teachings of the present disclosure having a plurality of magnets and a back plate.

FIGS. 12A-12B illustrate another embodiment of a magnetic connector according to certain teachings of the present disclosure having a plurality of magnets and a back plate.

FIGS. 13A-13B illustrate embodiments of magnetic connectors according to certain teachings of the present disclosure having electromagnets.

FIG. 14 illustrates an embodiment of a magnetic connector according to certain teachings of the present disclosure having an electromagnet and switch element.

FIG. 15 illustrates an embodiment of a magnetic connector according to certain teachings of the present disclosure having an electromagnet and a proximity sensor.

FIG. 16 illustrates an embodiment of a magnetic connector according to certain teachings of the present disclosure having an electromagnet and fault detector.

FIG. 17 illustrates an embodiment of a magnetic connector according to certain teachings of the present disclosure having two electromagnets and fault detector.

FIG. 18 illustrates an embodiment of a magnetic connector according to certain teachings of the present disclosure having an electromagnet and control circuitry.

While the disclosed magnetic connectors are susceptible to various modifications and alternative forms, specific embodiments thereof have been shown by way of example in the drawings and are herein described in detail. The figures and written description are not intended to limit the scope of the inventive concepts in any manner. Rather, the figures and written description are provided to illustrate the inventive concepts to a person skilled in the art by reference to particular embodiments, as required by 35 U.S.C. §112.

DETAILED DESCRIPTION

Referring to FIG. 3, an embodiment of a magnetic connector 100 according to certain teachings of the present disclosure is illustrated in a cross-sectional view. The magnetic connector 100 includes a first connector or plug 110 and a second connector or receptacle 150. The plug 110 is connectable to a first device or electrical relation 50, while the receptacle 150 is connectable to a second device 60. In one embodiment, the first device 50 is a transformer, and the second device 60 is an electronic device, such as a laptop computer, having a housing 62 and internal electronics 64. Therefore, in one embodiment, the magnetic connector 100 can be part of a power adapter for connecting the laptop computer 60 to a conventional AC power supply (not shown) with the transformer 50. For a standard laptop computer, the magnetic connector 100 is preferably rated for 6 A at 24V, and the plug 110 and receptacle 150 can both be approximately 4-mm tall and 6-mm wide.

The plug 110 includes a plug body 112 having a face 118 and connected to a cable 114. Preferably, the body 112 is composed of a conventional non-conductive material. The body 112 houses internal wires 116 of the cable 114, which connects to the first device 50. A plurality of first electrical contacts 120 and a first magnetic element 130 are positioned on the plug body 112. In a preferred embodiment and as shown in FIG. 3, the first electrical contacts 120 are preferably plated and spring loaded pins to maintain contact with the corresponding contacts on the receptacle 150. The pins 120 are held in housings 124 and are connected to the wires 116 of the cable 114. Springs 122 bias the pins 120 so that they extend from the face 118 of the plug body 112. In the

4

present embodiment, the first magnetic element 130 is embedded in the face 118 of the plug body 112.

The receptacle 150 has a body 152 connected to the housing 62 of the second device 60. The body 152 has a face 158, a plurality of second electrical contacts 160, and a second magnetic element 140. In a preferred embodiment and as shown in FIG. 3, the second electrical contacts 160 are plates embedded in the face 158 of the body 152 and electrically connected to the internal electronics 64 by wires 162 or the like. In addition, the second magnetic element 170 is embedded in the face 118 of the body 152.

To make the electrical connection between the first and second devices 50 and 60, the face 118 of the plug 110 is positioned against the face 158 of the receptacle 150. The pins 120 on the plug 110 engage the plates 160 on the receptacle 150. Thus, the wires 116 connected to the first device 50 are electrically connected to the wires 162 connecting to the internal electronics 64 of the second device 60. As will be appreciated by one skilled in the art, electrical connection between pointed pins 120 and substantially flat plates 160 is preferred for a number of reasons, such as issues related to Hertzian stresses around a contact point and issues related to contact asperities or aspots.

To maintain the electrical connection, the attractive force between the first and second magnetic elements 130 and 170 holds the plug 110 to the receptacle 150. In one embodiment, both magnetic elements 130 and 170 are magnets, either permanent or electromagnetic, arranged to attract magnetically to one another. In an alternative embodiment, either magnetic element 130 or 170 is a magnet, either permanent or electromagnetic, while the other complementary element is a ferromagnetic material. The permanent magnet used for the magnetic elements is preferably a permanent rare earth magnet because rare earth magnets have a high flux density compared to their size. When the plug 110 and receptacle 150 are brought into proximity, the attractive force between the magnetic elements 130 and 170 maintains the contacts 120 and 160 in an electrically conductive relationship.

The magnetic attraction or force of the plug 110 coupled to the receptacle 150 can be configured for a particular implementation as desired. For embodiments of the magnetic connector 100 used for a power adapter, the magnetic field produced by the magnetic attraction between the elements 130 and 170 is small enough not to interfere with the supply of power through the electrical contacts 120 and 160. Because magnetic fields of the elements 130 and 170 may interfere with the internal electronics 64 and other components of the device 60, the receptacle 150 may be positioned on the housing 150 at a location away from various components. For example, the receptacle 150 may be positioned away from disk drives, USB ports, internal busses, etc. of a laptop computer. Alternatively, the elements 130 and 170 may be shielded from various components of the electronic device, or a flux bar may be used to direct any magnetic flux of the elements 130 and 170 away from various components.

In one embodiment shown in the front view of FIG. 4, the receptacle 150 has four electrical plates 160 positioned around the centrally located magnetic element 170. The body 152 of the receptacle is oval or oblong and has two axes of symmetry. For the embodiment of the receptacle 150 requiring DC power, two of the electrical plates 160(+) may be positive contacts, and two of the plates 160(-) may be negative contacts. Various arrangements are possible and would be within the abilities of one skilled in the art.

In the embodiment shown in the front view of FIG. 5, the plug 110 is made to correspond with the arrangement of the receptacle 150 in FIG. 4. Therefore, the body 112 of the plug

5

110 is also oval, and the plug has four pins 120 positioned around the magnetic element 130, which is centrally located on the plug 110. For the embodiment of the plug 110 connected to an AC to DC transformer, two of the electrical contacts 120(+) are positive contacts, and two of the contacts 120(-) are negative contacts.

The arrangement of the pins 120 and plates 160 is symmetrical along the axes of symmetry defined by the oval or oblong shape of the bodies 112 and 152. In this way, the plug 110 and receptacle 150 can be coupled in only two ways, and proper alignment of positive pins 120(+) with positive plates 160(+) and of negative pins 120(-) with negative plates 160(-) will be ensured. Although the plug 110 and receptacle 150 are shown having one magnetic element 130 and 170 each, it will be appreciated that each can include one or more magnetic elements. In addition, it will be appreciated that the plug 110 and receptacle 150 can each have one or more contacts, depending on the type of electrical connection to be made. For example, additional pins and contacts may be symmetrically arranged around the plug 110 and receptacle 150 for passing electrical signals between two devices, such as a laptop computer and power adapter.

Referring to FIG. 6, an ability of the magnetic connector 100 to prevent possible damage is illustrated. The magnetic connector 100 substantially avoids damage because male components are not required to have an interference fit with female components to maintain both electrical and mechanical connection. Instead, a user of the connector 100 needs only to position the faces 118 and 158 of the plug 110 and receptacle 150 against or away from one another when making or releasing the electrical and magnetic connection therebetween. Being biased towards plates 160, the pins 120 can avoid damage while still maintaining contact with the plates 160. In addition, the magnetic connector 100 can substantially avoid damage by allowing the plug 110 and receptacle 150 to break free of one another when inadvertently pulled away from each other by a non-axial force. Although shown slightly recessed in the device 60, the face 158 of the receptacle 150 can also be flush with the housing or can protrude therefrom. However, the recess is used to prevent stray magnetic fields from interfering with other devices.

Referring to FIG. 7, another embodiment of a magnetic connector 200 according to certain teachings of the present disclosure is illustrated. This embodiment is substantially similar to the embodiment of FIGS. 3 through 5 so that like reference numbers indicate similar components. In contrast to previous embodiments, the receptacle 250 in this embodiment is not housed in a device (not shown) to which it is connected as with previous embodiments. Rather, the receptacle 250 resembles the plug 110 in that it has a body 252 that connects to the device with a cable 254. In addition, the bodies 112 and 252 of the plug 110 and receptacle 150 are substantially round. To ensure proper alignment of the pins 120 with the plates 160, the plug 10 and receptacle 150 have complementary guides 119 and 159 that allow for only one way of coupling them together. Although the guides 119 and 159 are shown on the faces 118 and 158 of the plug 110 and receptacle 150, it will be appreciated by one skilled in the art that a number of guides and techniques can be used to ensure proper alignment.

Referring to FIGS. 8A-8B and 9A-9B, another embodiment of a magnetic connector according to certain teachings of the present disclosure is illustrated. A first connector or plug 310 of the magnetic connector is shown in a partial side cross-section and in a front view of FIGS. 8A-8B. A second connector or receptacle 350 of the magnetic connector is shown in a partial side cross-section and in a front view of

6

FIGS. 9A-9B. Both the plug 310 and receptacle 350 can be at least partially composed of transparent, non-conductive material and can include internal lights, such as LEDs, to illuminate them.

As shown in FIGS. 8A-8B, the plug 310 includes a body 312, a plurality of pins 320, and a first magnetic element 330, and a shell 340. The body 312 is made of any suitable non-conductive material and has an oblong shape with two axes of symmetry A_1 and A_2 . The body 312 houses internal wires 316 of a cable 314, which connect the pins 320 to a first device (not shown), such as a transformer, for example. The pins 320 are biased by springs, and the pins 320 extend from a face 318, which is slightly recessed in the plug body 312. The first magnetic element 330 is positioned on the end of the plug body 312. As best shown in FIG. 8B, the first magnetic element 330 surrounds the recessed face 318 of the body 318.

For the embodiment of the plug 310 connected to a transformer, the centrally located pin 320 can be designated for signals used by the electronic device to determine the type of transformer or other device attached by the plug 310. The two outer located pins 320 can be designated for the positive DC power, and the outer shell 340 is designated for the return path of DC power. In this way, any orientation of the plug 310 will ensure proper connection of positive pins 320(+) and signal pin 320(S) of the plug 310 with corresponding contacts of the receptacle (350; FIGS. 9A-9B). Using the outer shell 340 for the return path is preferred because the plug 310 can have a smaller profile. In an alternative embodiment, however, the return path can be provided by additional pins (not shown) on the plug 310 and receptacle 350. For example, two additional pins (not shown) for the additional return path could be provided and symmetrically arranged on the plug 310 such that the pins would only align with corresponding contacts (not shown) of the receptacle 350 regardless of the orientation in which the plug 310 is coupled to the receptacle 350.

As shown in FIGS. 9A-9B, the receptacle 350 has a body 352, a plurality of contacts 360, and a second magnetic element 370, and a shell 380. The body 352 has a casing 356 with legs 357 for mechanical connection to a printed circuit board of internal electronics of a second device (not shown), such as a laptop computer, for example. The casing 356 can be composed of a conductive or non-conductive material. The body 352 has an oblong shape with two axes of symmetry A_1 and A_2 and is made of any suitable non-conductive material. As best shown in FIG. 9B, the body 352 also has snap connectors 359 for mechanical connection to a mounting base (not shown). In addition, the receptacle 350 has pins 364 for connecting the contacts 360 to internal electronics of the device.

The body 352 has an end 354 intended to extend outside the device housing the receptacle 350. This end 354 may be illuminated by techniques known in the art. The contacts 360 are positioned in a face 358 of the body 352. In the present embodiment, the contacts 360 are substantially flat plates electrically connected to the pins 364 by wires 362. The second magnetic element 370 is positioned about the face 358, and the second magnetic element 370 is preferably recessed from the face 358. Preferably, the recess of the second magnetic element 370 is slight and is comparable to the recess of the face (318) of the plug (310) in FIG. 8A. For the embodiment of the receptacle 350 intended to connect DC power to the device, the plates 360 are arranged to correspond with the positive pins (320(+)) and signal pin (320(S)) of the plug (310) of FIGS. 8A-8B, as described previously.

To make the electrical connection, the face 318 of the plug 310 of FIG. 8A is positioned against the face 358 of the receptacle 350 of FIG. 9A. The pins 320 on the plug 310

engage the plates **360** on the receptacle **350**. To maintain the connection, the first and second magnetic elements **330** and **370** magnetically couple together and hold the plug **310** to the receptacle **350**. In one embodiment, the magnetic elements **330** and **370** are both permanent magnets (preferably rare earth magnets) arranged to magnetically couple together. In another embodiment, one of the magnetic elements **330** and **370** can be a permanent magnet (preferably a rare earth magnet) or an electromagnet while the other element is a ferromagnetic material. Once coupled, the magnetic connector **300** allows the plug **310** to break away from the receptacle **350** in the event of inadvertent pulling of the plug **310** or the like.

Referring to FIG. **10**, additional details of the plug **310** and receptacle **350** for the disclosed magnetic connector of FIGS. **8A-8B** and **9A-9B** are illustrated in a perspective view. Portions of the plug **310** and receptacle **350** are not illustrated so that various details can be better shown. On the plug **310**, the shell **340** abuts the magnetic element **310**, which can be a ferromagnetic material. The shell **340** has an extension **342** for connecting to the return path of the power supply from the adapter (not shown) to which the plug **310** is connected. Three connectors **322(+)**, **322(S)**, and **322(+)** extend from the back end of the body **312** for connecting the pins (not shown) with the positive power and signal from adapter to which the plug **310** is connected.

On the receptacle **350**, the shell **380** for the return path of the power is positioned within the casing **356**, and the magnetic element **370**, which can be a permanent magnet, is positioned within the shell **380**. An opening **372** through the magnetic element **370** allows for passage of body material (not shown) and contacts (not shown), as disclosed previously. Tabs or holders **382** of the shell **380** contact and hold the magnetic element **370**. A leg **384** of the shell **380** extends from the receptacle **350** as do legs **357** of the casing **356**.

When the plug **330** is coupled with the receptacle **350**, the ferromagnetic material **330** of the plug **310** positions against the permanent magnet **370** and the inside of the casing **380** of the receptacle **350**. Thus, the magnetic engagement between the ferromagnetic material **330** and the permanent magnet **370** holds the plug **310** to the receptacle. Moreover, the physical engagement between the ferromagnetic material **330** and the casing **380** creates the return path for power from the receptacle's shell pin **384** to the plug's shell pin **342**.

Referring to FIGS. **11A-11B**, an embodiment of a magnetic connector **360** according to certain teachings of the present disclosure is illustrated. The connector **360** is compact and preferably has a low profile. In FIG. **11A**, a plug **370** of the connector **360** is shown in a front perspective. In FIG. **11B**, some of the internal components of plug **370** and a receptacle **390** are shown in a back perspective. The receptacle **390** is housed in an electronic device (not shown), and the plug **370** attaches to a cord or the like (not shown). As best shown in FIG. **11A**, the plug **370** has magnets **380**, **382** positioned on both sides of a plurality of contacts **376**, which are similar to other contacts disclosed herein. For example, the central contact **376** is designated for a first path of electrical communication, and the two outer contacts **376** are designated for a second path of electrical communication. Preferably, the contacts **376** are biased pins where the central pin **376** carries a signal path and the two side pins carry a positive current. The magnets **380**, **382** are arranged with opposite polarities, as indicated by the direction of the arrows in FIG. **11A**. Preferably, the magnets **380**, **382** are also designated for a third path of electrical communication.

As best shown in FIG. **11B**, the plug **370** also has a back plate **372** connected between the back ends of the magnets

380, **382**. The back plate **372** is made of a ferromagnetic material, such as steel. The receptacle **390** has an attraction plate **392** also made of a ferromagnetic material, such as steel. When the attraction plate **392** of receptacle **390** is attracted to the magnets **380**, **382**, the magnetic field lines travel through the steel attraction plate **392** from one magnet to the other, completing the magnetic circuit and producing a strong attracting force.

The attraction plate **392** of receptacle **390** defines an opening **394** for passage of the electrical contacts (not shown in FIG. **11B**). Likewise, the back plate **372** of the plug **370** defines openings **374** for passage of leads from the electrical contacts (not shown). As noted above, the magnets **380**, **382** can form a path of electrical communication between the receptacle **390** and the plug **370**. Preferably, the magnets **380** and **382** and the attraction plate **392** carry negative current. Thus, the attraction plate **392** of the receptacle **390** includes a connector **396** for connecting to an electrical lead or the like (not shown).

Because the connector **360** is designed to be compact and have a low profile for fitting into a laptop or the like, the plates **372** and **392** must give up a certain amount of material to produce the openings **374** and **394**. When the attraction plate **392** and magnets **380**, **382** are coupled, magnetic attractive force can be limited because the flux density can saturate the narrower portions of ferromagnetic material in both the attraction plate **392** and the back plate **374**. (Therefore, it may be desirable to use more than two magnets with the connector, as disclosed in the embodiment below). It may be desirable to have more than two magnets within the connector for two reasons. First, magnetic strength is a function of magnet thickness to cross section ratio (with thickness being defined by the dimension along the direction of magnetization). Second, for a given envelop, the leakage field associated with more than two permanent magnets is less than the leakage field associated with one or two permanent magnets.

Referring to FIGS. **12A-12B**, another embodiment of a magnetic connector **360** according to certain teachings of the present disclosure is illustrated. The magnetic connector **360** in FIGS. **12A-12B** is substantially similar to that disclosed above so those like numerals indicate similar components between the embodiments. In the present embodiment, however, the plug **370** houses four magnets **380**, **381**, **382**, and **383**. Again, the magnets **380**, **381**, **382**, and **383** are arranged with opposite polarities, as indicated by the arrows in FIG. **12A**. In the present embodiment, the four magnets **380**, **381**, **382**, and **383** form four magnetic circuits for the travel of magnetic flux. Accordingly, most of the flux travels between magnets on the same side (e.g., between magnets **380**, **381** on the same side and between magnets **382**, **383** on the same side). Because the flux lines are not constrained by the narrow portions of the plates **372** and **392**, the flux density is less likely to saturate the plates **372** and **392**. Therefore, the magnetic attractive force between the receptacle **390** and the plug **370** having four magnets **380-384** can be significantly greater than available in the embodiment of FIGS. **11A-11B**, even though both embodiments have the same contact area.

As noted previously, the magnetic attraction or force coupling the plug **370** and the receptacle **390** can be configured as desired for a given implementation. In one embodiment, a straight pullout force to uncouple the plug **370** from the receptacle **390** is preferably between 3-lbf and 7-lbf. It should be noted that pulling the plug **370** out sideways, up, or down can produce torque. Preferably, the magnetic attraction produces less torque in the up direction but produces more torque

in the other directions. Target torque values can be 0.5 kgf-cm for the up direction and 0.7 to 1.5 kgf-cm in the other directions.

In one aspect, the asymmetrical torque values can be achieved by extending the upper magnets **380** and **382** upwards. In this way, the upper magnets **380** and **382** are stronger and provide more attraction upwards than the lower magnets **381** and **383**. One resulting effect is that there can be more holding force and displacement of the application point of the force upward, subsequently leading to more torque. This also helps compensate for any downward torque that may be produced by a cable (not shown) coupled to the plug **370**. In another aspect, the asymmetrical torque values can be achieved by changing the angle of the magnetic flux lines in the upper magnets **380** and **382**. For example, the separate, upper magnets **380** and **382** can have flux direction that point downward at an approximately 20-degree angle in comparison to the direction of coupling.

Referring to FIG. 13A, an embodiment of a magnetic connector **400** having an electromagnet is illustrated. The connector **400** includes a plug **410** and a receptacle **450**. The plug **410** is not substantially different from that disclosed in the embodiment of FIG. 8A-8B. The plug **410** has contacts **420** for conveying power from a transformer (not shown) and has a magnetic element **430**, which can be a ferromagnetic material. The receptacle **450** has contacts **460** for conveying power to internal electronics **76** of the device **70**, which is a laptop computer in the present embodiment.

In contrast to previous embodiments, the receptacle **450** has an electromagnet formed by a metal core **470** wrapped by a wire coil **472**. Using an electromagnet in the plug **410** or receptacle **450** can overcome some of the disadvantages of having a permanent magnet on either the plug **410** or receptacle **450**. For example, the electromagnet may reduce potential interference with internal components of the electronic device **70** or storage media.

The coil **472** is connected to a power supply or battery **72** of the laptop **70**, and an internal switch **74** among other electronics can be used to operate the electromagnet of the core **470** and coil **472**. The internal switch **74** causes power from the battery **72** to energize the electromagnet of core **470** and coil **472**. Consequently, the energized electromagnet produces a magnetic field that attracts the ferromagnetic material **430** of the plug **410** and that can hold the plug **410** to the receptacle **450**. The battery **72** can be an independent battery of the device or can be the same battery used to power the internal electronics **76** of the device **70**. In either case, operation of the internal switch **74** and other electronics for connecting the battery **72** to the electromagnet is preferably controlled to conserve power consumption of the battery **72**.

Referring to FIG. 13B, another embodiment of a magnetic connector **500** having an electromagnet is illustrated. The connector **500** includes a plug **510** and a receptacle **550**. The receptacle **550** is not substantially different from that disclosed in the embodiment of FIG. 9A-9B. The receptacle **550** has contacts **560** for conveying power and signals to internal electronics **76** of the device **70**. The receptacle **550** also has a magnetic element **570**, which can be a ferromagnetic material. The plug **510** has contacts **520** for conveying power and signals from a power supply, such as power adapter **80**, via wires **522** of a cable **86**. In contrast to previous embodiments, the plug **510** has an electromagnet formed by a metal core **530** wrapped by a wire coil **532**. The coil **532** is connected to a power supply by wires **534**. For example, the coil **532** can draw power output from the transformer **82** of the adapter **80**, form a conventional power supply to which the outlet plug **88** connects, or from a battery **84** housed internally in the adapter

80. Use of the battery **84** can overcome the need for a user to first connect the adapter **80** to the power supply before the electromagnet in the plug **510** is operated and can magnetically connect to the receptacle **550**. The drawn power energizes the electromagnet of core **530** and coil **532** to produce a magnetic attraction to the ferromagnetic material **570** that can hold the plug **510** to the receptacle **550**.

Referring to FIG. 14, an embodiment of a magnetic connector **600** according to certain teachings of the present disclosure is illustrated. The connector **600** has a plug **602** having contacts **604** and an electromagnet **606**. The connector **600** also has a receptacle **620** positioned on a portable computer or electronic device **630**. The receptacle **620** has an attraction plate or magnet **622** and contacts **624**. The contacts **624** act as paths for electrical communication so that they are electrically coupled to internal electronics **632** of electronic device **630**. In addition, the attraction plate or magnet **622** acts as a path of electrical communication so that it is also electrically coupled to the internal electronics **632**. In the schematic view of FIG. 14, various components, such as leads, contacts, and coils, are not shown for simplicity.

In the present embodiment, the electromagnet **606** is in the plug **602**; however, it can be positioned in the receptacle **620**. The electromagnet **606** derives its power from circuitry **612** of the power adapter **608** so the electromagnet **606** does not drain a battery (not shown) of the electronic device **630**. In the present embodiment, the plug **602** includes a switch element **610** interrupting the electrical connection between the electromagnet **606** and the circuitry **612** of the adapter **608**.

In one embodiment, the switch element **610** includes a mechanical switch that a user presses to turn the electromagnet **602** on and off. Any mechanical switch, such as a conventional micro-switch, for controlling the power load of the electromagnet **602** is suitable for the connector **600**. In general, the switch element **610** allows the electromagnet **606** to run directly from power of the adapter **608**.

In another embodiment, the switch element **610** includes a touch sensor that energizes (e.g., turns on) the electromagnet **606** when a user touches the sensor **610** by picking up the plug **602**. Touch sensors are known in the art. For example, the touch sensor **610** can include logic circuitry and contacts (not shown) and can use principals of capacitance of the human body for operation. Once activated by the touch sensor **610**, the electromagnet **606** can remain energized for a time interval to allow the user to couple the plug **602** to the receptacle **620** and to turn on the electronic device **630**. Once the energized electromagnet **606** is magnetically coupled to the attraction plate **622** of the receptacle **620**, the contacts **604** and **624** that form a signal path between the adapter **608** and the device **630**, and a signal along the signal path can be used to keep the touch sensor **610** activated and the electromagnet **606** energized.

While the plug **602** is connected and the electromagnet **606** energized, the touch sensor **610** can turn off the electromagnet **606** when touched to allow the user to disconnect the plug **602**. Alternatively, the touch sensor **610** can reduce the energization of the electromagnet **606** to enable easy removal by the user but to keep a small remaining attraction. In addition, when the device **630** is turned off, the device **630** may no longer send a signal along the signal path of the contacts **604** and **624** or may send a quit signal to the touch sensor **610** to stop energization of the electromagnet **606**. Then, the de-energized electromagnet **606** can allow the plug **602** to be released from the electronic device **630**.

In yet another embodiment, the switch element **610** includes a motion sensor, which detects when the plug **602** is moved. The motion sensor **610** can maintain the electromag-

11

net 606 energized for a time interval to allow the user to couple the plug 602 with the receptacle 620 and to turn on the electronic device 630. Once coupled, the signal path formed by contacts 604 and 624 can allow a signal to control the circuitry of the motions sensor 610 to maintain it activated while coupled to the device 630. The motion sensor 610 can automatically shut off the electromagnet 606 so as to release the plug 602 from the device 630 if a sudden movement occurs (e.g., the device 630 is dropped or pulled away with the plug 602 connected).

Referring to FIG. 15, an embodiment of a magnetic connector 600 according to certain teachings of the present disclosure is illustrated having an electromagnet 606 and a proximity sensor 640. Reference numerals in FIG. 15 that are the same as those in other Figures represent like components between embodiments. The proximity sensor 640 is positioned in the plug 602 and is coupled to a switch element 642. The electromagnet 606 is also coupled to the switch element 642, which in turn is coupled to circuitry 644 for providing power located in the adapter 608. The proximity sensor 640 and switch element 642 turn on the electromagnet 606 when the sensor 640 is positioned near plate 622 of the receptacle 620.

In one embodiment, the proximity sensor 640 includes a Hall Effect sensor, which detects magnetic field levels. In use, the electromagnet 606 is initially energized before being coupled to the receptacle 620. The initial energization can be achieved, for example, when the adapter 608 is coupled to a power source (not shown) or when a touch sensor (not shown) or the like is activated by the user. The initial energization can be less than that necessary to magnetically couple the electromagnet 606 to the plate 622. Once the plug 602 is moved in proximity to the receptacle 622, the magnetic field associated with the initial energization of the electromagnet 606 is changed, which is subsequently detected by the Hall Effect sensor 640. The sensor 640, in turn, causes the energization of the electromagnet 606 to be increased to allow it to magnetically couple to the attraction plate 622.

Referring to FIG. 16, an embodiment of a magnetic connector 600 according to certain teachings of the present disclosure is illustrated having an electromagnet 606 and fault detection circuitry 650. Reference numerals in FIG. 16 that are the same as those in other Figures represent like components between embodiments. As before, the electromagnet 606 is energized to magnetically couple with the attraction plate 626 of receptacle 620, which can be ferromagnetic material or a permanent magnet. The fault detection circuitry 650 detects a fault event caused, for example, by a surge or spike in the power supply.

The fault detection circuitry 650 can be similar to that commonly used in the art for power adapters. In one embodiment, for example, the fault detection circuitry 650 can include circuitry for detecting an over-current. In another embodiment, for example, the fault detection circuitry 650 can include circuitry for detecting an over-temperature.

When the fault detection circuitry 650 detects a fault event, the circuitry 650 can stop energizing the electromagnet 606 and allow the plug 602 to be released from the embodiment of the receptacle 620 having a ferromagnetic attraction plate 626. Alternatively, the circuitry 650 can reverse the direction of current supplied through the electromagnet 606 so the electromagnet 606 is repelled by the polarity of the embodiment of the receptacle 620 having a permanent magnet on the attraction plate 626. It will be appreciated that the electromagnet 606 and fault circuitry 650 can be positioned on the device 630 while the attraction plate can be positioned on the plug 602 of the connector 600 to achieve the same protection.

12

Referring to FIG. 17, an embodiment of a magnetic connector 600 according to certain teachings of the present disclosure is illustrated having two electromagnets 606 and 660. The plug 602 has the first electromagnet 606, which is energized by the power adapter 608. The receptacle 620 positioned in the device 630 has the second electromagnet 660, which is powered by an internal power supply 662, such as a battery. The two electromagnets 606 and 660 have opposite polarities allowing them to be magnetically coupled.

In one embodiment, the adapter 608 includes fault detection circuitry 650. When a fault is detected by fault detection circuitry 662, the polarity of the first electromagnet 606 can be reversed by the circuitry 650 so that the first and second electromagnets 606 and 660 repel one another and actively prevent connection.

In another embodiment, the adapter 608 includes circuitry 650 for identifying the adapter 608. For example, the identification circuitry 650 can identify a type of electronic device to which it is intended to be connected or can even identify a specific device to which is can only be used. When a user intends to connect the plug 602 to the receptacle 620, the first electromagnet 606 can be energized according to the techniques disclosed herein. However, the second electromagnet 660 can remain de-energized. When the user positions the plug 602 against the receptacle 620, the signal path formed by contacts 604 and 624 allow the identification circuitry 650 to send a signal to the internal electronics 632 of the device, which can identify the adapter 608 being connected to the device 630.

If the adapter 608 is intended for the device 630, then the second electromagnet 660 can be energized with opposite polarity to couple with the first electromagnet 606, or the second electromagnet 660 can remain de-energized while the first electromagnet 606 is simply allowed to magnetically couple with the ferromagnetic components of the de-energized electromagnet 660. If, on the other hand, the adapter 608 is not intended for the device 630, then the second electromagnet 660 can be energized with the same polarity to repel the first electromagnet 606 and actively prevent connection.

Referring to FIG. 18, an embodiment of a magnetic connector 600 according to certain teachings of the present disclosure is illustrated having an electromagnet 606 and control circuitry 670. In one embodiment, the control circuitry 670 includes a switch element, which receives a control signal from the internal electronics 632 of the device 630. When the battery of the electronic device 630 is fully charged, the internal electronics 632 sends a control signal to the control circuitry 670 via the signal path formed by contacts 604 and 624. Moreover, when the internal electronics 632 detects a fault, it can send a control signal to the control circuitry 670.

As described above, one of the contacts 604 on the plug 602 and one of the contacts 624 on the receptacle 620 (preferably, the centrally located contacts 604 and 624) can form a signal path between the device 630 and the adapter 608. It is along such a signal path that the control signal indicating the fully charged battery is sent. When the signal for "full charge" is received, the control circuitry 670 causes its internal switch element to stop energization of the electromagnet 606, and the plug 602 becomes decoupled from the receptacle 626. If it is desirable to keep the plug 602 magnetically coupled, albeit slightly, to the receptacle 620 even after full charging of the battery, the plate 627 on the receptacle 620 can include a magnet (not shown) for maintaining at least some magnetic coupling with ferromagnetic material of the electromagnet 606.

13

In another embodiment, the control circuitry 670 receives a control signal, which governs whether the adapter 608 associated with the control circuitry 670 can operate with the electronic device 630. In this embodiment, the internal electronics 632 on the device 630 produces a control signal that identifies the device 630, such as by its make or model. The control signal can be a digital signal, for example, identifying the device 630. The control circuitry 670 in the adapter 608 is pre-configured to energize the electromagnet 606 only when the identifying control signal is received. To respond to the control signal, the control circuitry includes a switch element for controlling the electrical connection of the electromagnet 606 with its energizing source, and the circuitry includes a logic element for interpreting the control signal and activating the switch element.

Thus, when a user positions the plug 602 against the receptacle 620 to connect them, the signal contacts 604 and 624 on the plug and receptacle 602 and 620 will make contact, allowing the internal electronics 632 of the device 630 to communicate its identifying control signal to the control circuitry 670 of the adapter 608. If the circuitry 670 receives the correct signal, an internal switch within the circuitry causes the electromagnet 606 to be energized for coupling with the receptacle. Otherwise, the electromagnet will not be energized, and the plug 602 will not stay coupled to the receptacle 620.

Accordingly, the electromagnet 606 on the adapter 608 will only be energized for a particular model or type of device, which may prevent the possibility of a user inadvertently coupling an adapter with a specific power rating to a device requiring a different power rating. For example, harm to a computer can be prevented because the computer will not allow itself to be connected to the wrong type of power adapter (e.g., one that supplies a higher voltage than the computer's specification). Furthermore, the control circuitry 670 and identification of the device 630 can be configured so that the device 630 will only draw power only from a particular power adapter or a group of power adapters. Such a configuration can be useful in various settings, such as a school or other public organization, to discourage theft.

In yet another embodiment, the control circuitry 670 includes a security system, which requires the user to enter a particular code or other identification. Without the entered code, the control circuitry 670 will not energize the electromagnet, and the plug 602 will not engage with the receptacle 620.

In the present disclosure, embodiments of magnetic connectors have been disclosed in the context of providing power from a transformer to a laptop computer. However, it will be appreciated with the benefit of the present disclosure that the subject matter of the present disclosure is applicable to various types of connectors, which provide electrical connection in the form of power and/or signals between an electronic device and any of a number of electronic devices or electrical relations. For example, other applicable electronic devices or electrical relations include portable DVD players, CD players, radios, printers, portable memory devices, portable disk drives, input/output devices, power sources, batteries, etc. Other applicable types of electrical connections that can be provided by the connectors of the present disclosure include Universal Serial Bus, D-subminiature, FireWire, network connectors, docking connectors, etc.

In the present disclosure, a number of embodiments of magnetically coupleable connectors are disclosed. With the benefit of the present disclosure, it will be appreciated that aspects or features of one embodiment disclosed herein can be used in or combined with aspects and features of other

14

embodiments disclosed herein to produce additional embodiments consistent with the teachings of the present disclosure.

The foregoing description of preferred and other embodiments is not intended to limit or restrict the scope or applicability of the inventive concepts conceived of by the Applicants. In exchange for disclosing the inventive concepts contained herein, the Applicants desire all patent rights afforded by the appended claims. Therefore, it is intended that the appended claims include all modifications and alterations to the full extent that they come within the scope of the following claims or the equivalents thereof.

What is claimed is:

1. An electronic device comprising:

a housing; and

a receptacle in the housing, the receptacle comprising:

a recess below a surface of the housing, the recess having a bottom surface and a sidewall including a first side, the first side extending from the bottom surface to the surface of the housing;

a plurality of contacts located on the bottom surface, the plurality of contacts including contacts for power, ground, and a signal, the plurality of contacts approximately in a line, the line approximately parallel to the first side; and

a magnetic element.

2. The electronic device of claim 1 wherein the sidewall of the receptacle further comprises a first end and a second end, the first and second ends at opposing ends of the first side and extending from the bottom surface to the surface of the housing.

3. The electronic device of claim 2 wherein the first and second ends are curved.

4. The electronic device of claim 2 wherein the magnetic element comprises a magnet.

5. The electronic device of claim 2 wherein the magnetic element comprises a plurality of magnets arranged to have opposing polarities.

6. The electronic device of claim 2 wherein the magnetic element comprises an attraction plate.

7. The electronic device of claim 2 wherein the plurality of contacts convey signals and power for a universal serial bus interface.

8. The electronic device of claim 2 wherein the receptacle provides a universal serial bus electrical connection.

9. The electronic device of claim 2 wherein the plurality of contacts are arranged in a symmetrical pattern.

10. A connector system comprising:

a receptacle comprising:

a recess, the recess having a bottom surface and a top edge, and a sidewall including a first side, the first side extending from the bottom surface to the top edge;

a first plurality of contacts located on the bottom surface, the first plurality of contacts including contacts for power, ground, and a signal, the first plurality of contacts approximately in a line, the line approximately parallel to the first side; and

a first magnetic element; and

an insert comprising:

a raised portion having a first edge;

a second plurality of contacts located on the raised portion, the second plurality of contacts including contacts for power, ground, and a signal, the second plurality of

15

contacts approximately in a line, the line approximately parallel to the first edge; and
a second magnetic element,
wherein the first edge of the raised portion of the insert is arranged to fit with the first side of the sidewall of the receptacle when insert and the receptacle are mated.

11. The connector system of claim **10** wherein the sidewall of the receptacle further comprises a first end and a second end, the first and second ends at opposing ends of the first side and extending from the bottom surface to the top edge of the receptacle.

12. The connector system of claim **11** wherein the first and second ends are curved.

13. The connector system of claim **11** wherein the first magnetic element and the second magnetic element each comprise a magnet.

16

14. The connector system of claim **11** wherein the first magnetic element comprises a plurality of magnets arranged to have opposing polarities.

15. The connector system of claim **14** wherein the second magnetic element is an attraction plate.

16. The connector system of claim **11** wherein the second magnetic element comprises a plurality of magnets arranged to have opposing polarities.

17. The connector system of claim **16** wherein the first magnetic element is an attraction plate.

18. The connector system of claim **11** wherein the first and second pluralities of contacts convey signals and power for a universal serial bus interface.

19. The connector system of claim **11** wherein the connector system provides a universal serial bus electrical connection.

20. The connector system of claim **11** wherein the first and second pluralities of contacts are each arranged in a symmetrical pattern.

* * * * *