



US008928635B2

(12) **United States Patent**
Harley et al.

(10) **Patent No.:** **US 8,928,635 B2**
(45) **Date of Patent:** **Jan. 6, 2015**

(54) **ACTIVE STYLUS**
(75) Inventors: **Jonah A. Harley**, Mountain View, CA (US); **David I. Simon**, San Francisco, CA (US)
(73) Assignee: **Apple Inc.**, Cupertino, CA (US)
(*) Notice: Subject to any disclaimer, the term of this patent is extended or adjusted under 35 U.S.C. 154(b) by 240 days.
(21) Appl. No.: **13/166,726**
(22) Filed: **Jun. 22, 2011**

4,289,927 A 9/1981 Rodgers
4,320,292 A 3/1982 Oikawa et al.
4,334,219 A 6/1982 Paulus et al.
4,345,248 A 8/1982 Togashi et al.
4,405,921 A 9/1983 Mukaiyama
4,439,855 A 3/1984 Dholakia
4,476,463 A 10/1984 Ng et al.
4,481,510 A 11/1984 Hareng et al.
4,484,179 A 11/1984 Kasday
4,490,607 A 12/1984 Pease et al.
4,496,981 A 1/1985 Ota
4,520,357 A 5/1985 Castleberry et al.
4,542,375 A 9/1985 Alles et al.
4,602,321 A 7/1986 Bornhorst
4,603,356 A 7/1986 Bates

(Continued)

(65) **Prior Publication Data**
US 2012/0327041 A1 Dec. 27, 2012

FOREIGN PATENT DOCUMENTS

DE 036 02 796 A1 8/1987
DE 197 20 925 A1 12/1997

(Continued)

(51) **Int. Cl.**
G06F 3/033 (2013.01)
G06F 3/0354 (2013.01)
G06F 3/044 (2006.01)

OTHER PUBLICATIONS

International Search Report mailed Oct. 17, 2012, for PCT Application No. PCT/US2012/043019, filed Jun. 18, 2012, five pages.

(Continued)

(52) **U.S. Cl.**
CPC **G06F 3/03545** (2013.01); **G06F 3/044** (2013.01)
USPC **345/179**; 345/173; 178/19.03

Primary Examiner — Joe H Cheng
(74) *Attorney, Agent, or Firm* — Morrison & Foerster LLP

(58) **Field of Classification Search**
CPC . G06F 3/03545; G06F 3/0383; G06F 3/0386; G06F 3/041; G06F 3/044
USPC 345/173, 179, 174; 178/18.06, 19.03
See application file for complete search history.

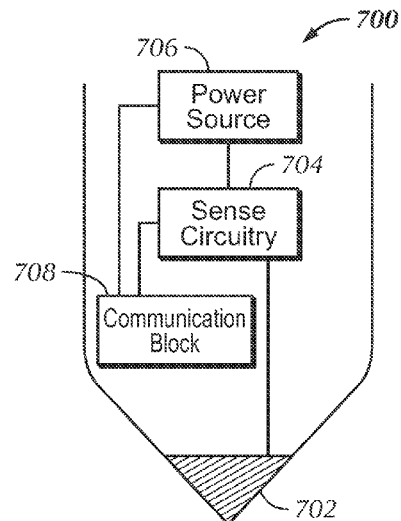
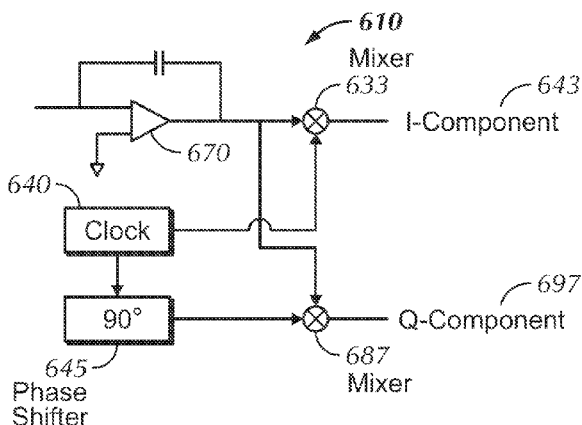
(57) **ABSTRACT**

An active stylus is disclosed. The stylus includes an electrode at a tip of the stylus; and powered circuitry coupled to the electrode and configured for capacitively coupling the electrode with a capacitive touch sensor panel. The powered circuitry can further include drive circuitry configured to output a drive voltage at the electrode and/or sense circuitry configured to sense a voltage received at the electrode.

(56) **References Cited**
U.S. PATENT DOCUMENTS

20 Claims, 7 Drawing Sheets

3,462,692 A * 8/1969 Bartlett 307/652
3,970,846 A 7/1976 Schofield et al.
4,220,815 A 9/1980 Gibson et al.
4,281,407 A * 7/1981 Tosima 369/130



(56)

References Cited

U.S. PATENT DOCUMENTS

4,642,459	A	2/1987	Casewell et al.	5,515,186	A	5/1996	Ferguson et al.	
4,644,338	A	2/1987	Aoki et al.	5,525,813	A	6/1996	Miyake et al.	
4,655,552	A	4/1987	Togashi et al.	5,532,743	A	7/1996	Komobuchi	
4,662,718	A	5/1987	Masubuchi	5,559,471	A	9/1996	Black	
4,671,671	A	6/1987	Suetaka	5,568,292	A	10/1996	Kim	
4,677,428	A	6/1987	Bartholow	5,581,378	A	12/1996	Kulick et al.	
4,679,909	A	7/1987	Hamada et al.	5,585,817	A	12/1996	Itoh et al.	
4,684,939	A	8/1987	Streit	5,589,961	A	12/1996	Shigeta et al.	
4,698,460	A	10/1987	Krein et al.	5,598,004	A	1/1997	Powell et al.	
4,705,942	A	11/1987	Budrikis et al.	5,608,390	A	3/1997	Gasparik	
4,720,869	A	1/1988	Wadia	5,610,629	A	3/1997	Baur	
4,736,203	A	4/1988	Sidlauskas	5,635,982	A	6/1997	Zhang et al.	
4,740,782	A	4/1988	Aoki et al.	5,637,187	A	6/1997	Takasu et al.	
4,749,879	A	6/1988	Peterson et al.	5,652,600	A	7/1997	Khormaei et al.	
4,759,610	A	7/1988	Yanagisawa	5,659,332	A	8/1997	Ishii et al.	
4,767,192	A	8/1988	Chang et al.	5,677,744	A	10/1997	Yoneda et al.	
4,772,101	A	9/1988	Liu	5,709,118	A	1/1998	Ohkubo	
4,782,327	A	11/1988	Kley et al.	5,712,528	A	1/1998	Barrow et al.	
4,782,328	A	11/1988	Denlinger	5,734,491	A	3/1998	Debesis	
4,785,564	A	11/1988	Gurtler	5,736,980	A	4/1998	Iguchi et al.	345/179
4,794,634	A	12/1988	Torihata et al.	5,751,453	A	5/1998	Baur	
4,814,760	A	3/1989	Johnston et al.	5,757,522	A	5/1998	Kulick et al.	
4,823,178	A	4/1989	Suda	5,767,623	A	6/1998	Friedman et al.	
4,838,655	A	6/1989	Hunahata et al.	5,777,713	A	7/1998	Kimura	
4,846,559	A	7/1989	Kniffler	5,778,108	A	7/1998	Coleman, Jr.	
4,877,697	A	10/1989	Vollmann et al.	5,790,106	A	8/1998	Hirano et al.	345/173
4,893,120	A	1/1990	Doering et al.	5,793,342	A	8/1998	Rhoads	
4,904,056	A	2/1990	Castleberry	5,796,121	A	8/1998	Gates	
4,917,474	A	4/1990	Yamazaki et al.	5,796,473	A	8/1998	Murata et al.	
4,940,901	A	7/1990	Henry et al.	5,812,109	A	9/1998	Kaifu et al.	
5,003,356	A	3/1991	Wakai et al.	5,818,037	A	10/1998	Redford et al.	
5,037,119	A	8/1991	Takehara et al.	5,818,553	A	10/1998	Koenck et al.	
5,039,206	A	8/1991	Wiltshire	5,818,956	A	10/1998	Tuli	
5,051,570	A	9/1991	Tsujikawa et al.	5,825,352	A	10/1998	Bisset et al.	
5,063,379	A	11/1991	Fabry et al.	5,831,693	A	11/1998	McCartney, Jr. et al.	
5,083,175	A	1/1992	Hack et al.	5,834,765	A	11/1998	Ashdown	
5,105,186	A	4/1992	May	5,835,079	A	11/1998	Shieh	
5,113,041	A	5/1992	Blonder et al.	5,838,290	A	11/1998	Kuijk	
5,117,071	A	5/1992	Greanias et al.	5,838,308	A	11/1998	Knapp et al.	
5,140,153	A	8/1992	Heikkinen et al.	5,852,487	A	12/1998	Fujimori et al.	
5,151,688	A	9/1992	Tanaka et al.	5,854,448	A	12/1998	Nozaki et al.	178/18.01
5,153,420	A	10/1992	Hack et al.	5,854,881	A	12/1998	Yoshida et al.	345/104
5,172,104	A	12/1992	Tanigaki et al.	5,877,735	A	3/1999	King et al.	
5,182,661	A	1/1993	Ikeda et al.	5,880,411	A	3/1999	Gillespie et al.	
5,204,661	A	4/1993	Hack et al.	5,883,715	A	3/1999	Steinlechner et al.	
5,236,850	A	8/1993	Zhang	5,890,799	A	4/1999	Yiu et al.	
5,237,314	A	8/1993	Knapp	5,917,464	A	6/1999	Stearns	
5,239,152	A	8/1993	Caldwell et al.	5,920,360	A	7/1999	Coleman, Jr.	
5,243,332	A	9/1993	Jacobson	5,923,320	A	7/1999	Murakami et al.	345/179
5,276,538	A	1/1994	Monji et al.	5,926,238	A	7/1999	Inoue et al.	
5,301,048	A	4/1994	Huisman	5,930,591	A	7/1999	Huang	
5,308,964	A	5/1994	Kwon	5,940,049	A	8/1999	Hinman et al.	
5,339,090	A	8/1994	Crossland et al.	5,942,761	A	8/1999	Tuli	
5,339,091	A	8/1994	Yamazaki et al.	5,959,617	A	9/1999	Bird et al.	
5,341,133	A	8/1994	Savoy et al.	5,959,697	A	9/1999	Coleman, Jr.	
5,349,174	A	9/1994	Van Berkel et al.	5,962,856	A	10/1999	Zhao et al.	
5,360,426	A	11/1994	Muller et al.	5,966,108	A	10/1999	Ditzik	
5,369,262	A	11/1994	Dvorkis et al.	5,973,312	A	10/1999	Curling et al.	
5,376,948	A	12/1994	Roberts	5,990,980	A	11/1999	Golin	
5,381,251	A	1/1995	Nonomura et al.	5,990,988	A	11/1999	Hanihara et al.	
5,386,543	A	1/1995	Bird	5,995,172	A	11/1999	Ikeda et al.	
5,387,445	A	2/1995	Horiuchi et al.	6,020,590	A	2/2000	Aggas et al.	
5,414,283	A	5/1995	den Boer et al.	6,020,945	A	2/2000	Sawai et al.	
5,422,693	A	6/1995	Vogeley et al.	6,023,307	A	2/2000	Park	
5,430,462	A	7/1995	Katagiri et al.	6,028,581	A	2/2000	Umeya	
5,445,871	A	8/1995	Murase et al.	6,049,428	A	4/2000	Khan et al.	
5,446,564	A	8/1995	Mawatari et al.	6,061,177	A	5/2000	Fujimoto	
5,461,400	A	10/1995	Ishii et al.	6,067,062	A	5/2000	Takasu et al.	
5,475,398	A	12/1995	Yamazaki et al.	6,067,140	A	5/2000	Woo et al.	
5,483,261	A	1/1996	Yasutake	6,069,393	A	5/2000	Hatanaka et al.	
5,483,263	A	1/1996	Bird et al.	6,078,378	A	6/2000	Lu et al.	
5,485,177	A	1/1996	Shannon et al.	6,087,599	A	7/2000	Knowles	
5,488,204	A	1/1996	Mead et al.	6,091,030	A	7/2000	Tagawa et al.	178/18.01
5,502,514	A	3/1996	Vogeley et al.	6,100,538	A	8/2000	Ogawa	
5,510,916	A	4/1996	Takahashi	6,118,435	A	9/2000	Fujita et al.	
				6,133,906	A	10/2000	Geaghan	
				6,163,313	A	12/2000	Aroyan et al.	
				6,177,302	B1	1/2001	Yamazaki et al.	
				6,181,394	B1	1/2001	Sanelle et al.	

(56)

References Cited

U.S. PATENT DOCUMENTS

6,182,892	B1	2/2001	Angelo et al.	7,009,663	B2	3/2006	Abileah et al.	
6,184,863	B1	2/2001	Sibert et al.	7,015,894	B2	3/2006	Morohoshi	
6,184,873	B1	2/2001	Ward et al.	7,023,503	B2	4/2006	den Boer	
6,188,391	B1	2/2001	Seely et al.	7,053,967	B2	5/2006	Abileah et al.	
6,188,781	B1	2/2001	Brownlee	7,068,254	B2	6/2006	Yamazaki et al.	
6,232,607	B1	5/2001	Huang	7,075,521	B2*	7/2006	Yamamoto et al.	345/173
6,236,053	B1	5/2001	Shariv	7,098,894	B2	8/2006	Yang et al.	
6,236,063	B1	5/2001	Yamazaki et al.	7,109,465	B2	9/2006	Kok et al.	
6,239,788	B1*	5/2001	Nohno et al.	7,157,649	B2	1/2007	Hill	
6,242,729	B1	6/2001	Izumi et al.	7,164,164	B2	1/2007	Nakamura et al.	
6,262,408	B1	7/2001	Izumi et al.	7,176,905	B2	2/2007	Baharav et al.	
6,265,792	B1	7/2001	Granchukoff	7,177,026	B2	2/2007	Perlin	
6,271,813	B1	8/2001	Palalau	7,184,009	B2	2/2007	Bergquist	
6,278,423	B1	8/2001	Wald et al.	7,184,064	B2	2/2007	Zimmerman et al.	
6,278,444	B1	8/2001	Wilson et al.	7,190,461	B2	3/2007	Han et al.	
6,284,558	B1	9/2001	Sakamoto	7,205,988	B2	4/2007	Nakamura et al.	
6,295,113	B1	9/2001	Yang	7,208,102	B2	4/2007	Aoki et al.	
6,300,977	B1	10/2001	Waechter	7,242,049	B2	7/2007	Forbes et al.	
6,310,610	B1	10/2001	Beaton et al.	7,250,596	B2	7/2007	Reime	
6,316,790	B1	11/2001	Kodaira et al.	7,292,229	B2	11/2007	Morag et al.	
6,320,617	B1	11/2001	Gee et al.	7,298,367	B2	11/2007	Geaghan et al.	
6,323,490	B1	11/2001	Ikeda et al.	7,348,946	B2	3/2008	Booth, Jr. et al.	
6,323,846	B1	11/2001	Westerman et al.	7,372,455	B2*	5/2008	Perski et al.	345/173
6,326,956	B1	12/2001	Jaeger et al.	7,408,598	B2	8/2008	den Boer et al.	
6,327,376	B1	12/2001	Harkin	7,418,117	B2	8/2008	Kim et al.	
6,333,544	B1	12/2001	Toyoda et al.	7,450,105	B2	11/2008	Nakamura et al.	
6,351,076	B1	2/2002	Yoshida et al.	7,456,812	B2	11/2008	Smith et al.	
6,351,260	B1	2/2002	Graham et al.	7,463,297	B2	12/2008	Yoshida et al.	
6,357,939	B1	3/2002	Baron	7,483,005	B2	1/2009	Nakamura et al.	
6,364,829	B1	4/2002	Fulghum	7,522,149	B2	4/2009	Nakamura et al.	
6,377,249	B1	4/2002	Mumford	7,535,468	B2	5/2009	Uy	
6,380,995	B1	4/2002	Kim	7,536,557	B2	5/2009	Murakami et al.	
6,392,254	B1	5/2002	Liu et al.	7,545,371	B2	6/2009	Nakamura et al.	
6,399,166	B1	6/2002	Khan et al.	7,598,949	B2	10/2009	Han	
6,400,359	B1*	6/2002	Katabami	7,612,767	B1	11/2009	Griffin et al.	
6,441,362	B1	8/2002	Ogawa	7,629,945	B2	12/2009	Baudisch	
6,453,008	B1	9/2002	Sakaguchi et al.	7,649,524	B2	1/2010	Haim et al.	
6,462,328	B2	10/2002	Toyoda	7,649,527	B2	1/2010	Cho et al.	
6,465,824	B1	10/2002	Kwasnick et al.	7,663,607	B2	2/2010	Hotelling et al.	
6,476,447	B1	11/2002	Yamazaki et al.	7,719,515	B2*	5/2010	Fujiwara et al.	345/156
6,489,631	B2	12/2002	Young et al.	7,843,439	B2	11/2010	Perski et al.	
6,495,387	B2	12/2002	French	7,848,825	B2	12/2010	Wilson et al.	
6,504,530	B1	1/2003	Wilson et al.	7,859,519	B2	12/2010	Tulbert	
6,518,561	B1	2/2003	Miura	7,902,840	B2	3/2011	Zachut et al.	
6,521,109	B1	2/2003	Bartic et al.	7,924,272	B2	4/2011	Boer et al.	
6,529,189	B1	3/2003	Colgan et al.	8,031,094	B2	10/2011	Hotelling et al.	
6,552,745	B1	4/2003	Perner	8,059,102	B2	11/2011	Rimon et al.	
6,597,348	B1	7/2003	Yamazaki et al.	8,094,128	B2	1/2012	Vu et al.	
6,603,867	B1	8/2003	Sugino et al.	8,169,421	B2*	5/2012	Wright et al.	345/179
6,646,636	B1	11/2003	Popovich et al.	8,174,273	B2*	5/2012	Geaghan	324/678
6,667,740	B2	12/2003	Ely et al.	8,228,311	B2	7/2012	Perski et al.	
6,679,702	B1	1/2004	Rau	8,232,977	B2	7/2012	Zachut et al.	
6,681,034	B1	1/2004	Russo	8,269,511	B2*	9/2012	Jordan	324/679
6,690,156	B1	2/2004	Weiner et al.	8,373,677	B2	2/2013	Perski et al.	
6,690,387	B2	2/2004	Zimmerman et al.	8,390,588	B2	3/2013	Vu et al.	
6,700,144	B2	3/2004	Shimazaki et al.	8,400,427	B2	3/2013	Perski et al.	
6,720,594	B2	4/2004	Rahn et al.	8,479,122	B2	7/2013	Hotelling et al.	
6,738,031	B2	5/2004	Young et al.	8,481,872	B2	7/2013	Zachut	
6,738,050	B2*	5/2004	Comiskey et al.	8,493,331	B2	7/2013	Krah et al.	
6,741,655	B1	5/2004	Chang et al.	8,536,471	B2	9/2013	Stern et al.	
6,762,741	B2	7/2004	Weindorf	8,537,126	B2	9/2013	Yousefpor et al.	
6,762,752	B2	7/2004	Perski et al.	8,552,986	B2	10/2013	Wong et al.	
6,803,906	B1	10/2004	Morrison et al.	8,605,045	B2*	12/2013	Mamba et al.	345/173
6,815,716	B2	11/2004	Sanson et al.	8,659,556	B2	2/2014	Wilson	
6,831,710	B2	12/2004	den Boer	8,698,769	B2	4/2014	Coulson et al.	
6,862,022	B2	3/2005	Slupe	2001/0000026	A1	3/2001	Skoog	
6,864,882	B2	3/2005	Newton	2001/0000676	A1	5/2001	Zhang et al.	
6,879,344	B1	4/2005	Nakamura et al.	2001/0003711	A1	6/2001	Coyer	
6,879,710	B1	4/2005	Hinoue et al.	2001/0044858	A1	11/2001	Rekimoto	
6,888,528	B2	5/2005	Rai et al.	2001/0046013	A1	11/2001	Noritake et al.	
6,947,017	B1	9/2005	Gettemy	2001/0052597	A1	12/2001	Young et al.	
6,947,102	B2	9/2005	den Boer et al.	2001/0055008	A1	12/2001	Young et al.	
6,972,753	B1	12/2005	Kimura et al.	2002/0027164	A1	3/2002	Mault et al.	
6,995,743	B2	2/2006	Boer et al.	2002/0030581	A1	3/2002	Janiak et al.	
7,006,080	B2	2/2006	Gettemy	2002/0030768	A1	3/2002	Wu	
				2002/0052192	A1	5/2002	Yamazaki et al.	
				2002/0063518	A1	5/2002	Okamoto et al.	
				2002/0067845	A1	6/2002	Griffis	
				2002/0071074	A1	6/2002	Noritake et al.	

(56)

References Cited

U.S. PATENT DOCUMENTS

2002/0074549	A1	6/2002	Park et al.	2008/0046425	A1	2/2008	Perski
2002/0080123	A1	6/2002	Kennedy et al.	2008/0048995	A1	2/2008	Abileah et al.
2002/0080263	A1	6/2002	Krymski	2008/0049153	A1	2/2008	Abileah et al.
2002/0126240	A1	9/2002	Seiki et al.	2008/0049154	A1	2/2008	Abileah et al.
2002/0149571	A1	10/2002	Roberts	2008/0055295	A1	3/2008	den Boer et al.
2002/0175903	A1	11/2002	Fahraeus et al.	2008/0055496	A1	3/2008	Abileah et al.
2003/0020083	A1	1/2003	Hsiung et al.	2008/0055497	A1	3/2008	Abileah et al.
2003/0038778	A1	2/2003	Noguera	2008/0055498	A1	3/2008	Abileah et al.
2003/0103030	A1	6/2003	Wu	2008/0055499	A1	3/2008	den Boer et al.
2003/0117369	A1	6/2003	Spitzer et al.	2008/0055507	A1	3/2008	den Boer et al.
2003/0127672	A1	7/2003	Rahn et al.	2008/0062156	A1	3/2008	Abileah et al.
2003/0137494	A1	7/2003	Tulbert	2008/0062157	A1	3/2008	Abileah et al.
2003/0151569	A1	8/2003	Lee et al.	2008/0062343	A1	3/2008	Boer et al.
2003/0156087	A1	8/2003	Boer et al.	2008/0066972	A1	3/2008	Abileah et al.
2003/0156100	A1	8/2003	Gettemy	2008/0084374	A1	4/2008	Abileah et al.
2003/0156230	A1	8/2003	Boer et al.	2008/0111780	A1	5/2008	Abileah et al.
2003/0174256	A1	9/2003	Kim et al.	2008/0128180	A1	6/2008	Perski et al.
2003/0174870	A1	9/2003	Kim et al.	2008/0129909	A1	6/2008	den Boer et al.
2003/0179323	A1	9/2003	Abileah et al.	2008/0129913	A1	6/2008	den Boer et al.
2003/0183019	A1	10/2003	Chae	2008/0129914	A1	6/2008	den Boer et al.
2003/0197691	A1*	10/2003	Fujiwara et al. 345/179	2008/0142280	A1	6/2008	Yamamoto et al.
2003/0205662	A1	11/2003	Boer	2008/0158172	A1	7/2008	Hotelling et al.
2003/0218116	A1	11/2003	Boer	2008/0158180	A1*	7/2008	Krah et al. 345/173
2003/0231277	A1	12/2003	Zhang	2008/0162997	A1*	7/2008	Vu et al. 714/27
2003/0234759	A1	12/2003	Bergquist	2008/0165311	A1	7/2008	Abileah et al.
2004/0008189	A1	1/2004	Clapper et al.	2008/0170046	A1	7/2008	Rimon et al.
2004/0046900	A1	3/2004	Boer et al.	2008/0238885	A1	10/2008	Zachut et al.
2004/0095333	A1	5/2004	Morag et al.	2008/0278443	A1	11/2008	Schelling et al.
2004/0113877	A1	6/2004	Abileah et al.	2008/0284925	A1	11/2008	Han
2004/0125430	A1	7/2004	Kasajima et al.	2008/0297487	A1	12/2008	Hotelling et al.
2004/0140962	A1	7/2004	Wang et al.	2008/0309625	A1	12/2008	Krah et al.
2004/0189587	A1	9/2004	Jung et al.	2009/0027354	A1	1/2009	Perski et al.
2004/0191976	A1	9/2004	Udupa et al.	2009/0065269	A1*	3/2009	Katsurahira 178/19.06
2004/0252867	A1	12/2004	Lan et al.	2009/0078476	A1	3/2009	Rimon et al.
2005/0040393	A1	2/2005	Hong	2009/0095540	A1	4/2009	Zachut et al.
2005/0091297	A1	4/2005	Sato et al.	2009/0128529	A1	5/2009	Izumi et al.
2005/0110777	A1	5/2005	Geaghan et al.	2009/0135492	A1	5/2009	Kusuda et al.
2005/0117079	A1	6/2005	Pak et al.	2009/0153152	A1*	6/2009	Maharyta et al. 324/684
2005/0134749	A1	6/2005	Abileah	2009/0153525	A1	6/2009	Chang
2005/0146517	A1	7/2005	Robrecht et al.	2009/0167702	A1	7/2009	Nurmi
2005/0173703	A1	8/2005	Lebrun	2009/0167728	A1	7/2009	Geaghan et al.
2005/0179706	A1	8/2005	Childers	2009/0184939	A1	7/2009	Wohlstadter et al.
2005/0200603	A1	9/2005	Casebolt et al.	2009/0225210	A1	9/2009	Sugawa
2005/0206764	A1	9/2005	Kobayashi et al.	2009/0251434	A1	10/2009	Rimon et al.
2005/0231656	A1	10/2005	den Boer et al.	2009/0262637	A1	10/2009	Badaye et al.
2005/0270590	A1	12/2005	Izumi et al.	2009/0273579	A1	11/2009	Zachut et al.
2005/0275616	A1	12/2005	Park et al.	2009/0322685	A1	12/2009	Lee
2005/0285985	A1	12/2005	Boer et al.	2009/0322696	A1	12/2009	Yaakoby et al.
2006/0007224	A1	1/2006	Hayashi et al.	2010/0001978	A1	1/2010	Lynch et al.
2006/0007336	A1	1/2006	Yamaguchi	2010/0013793	A1	1/2010	Abileah et al.
2006/0010658	A1	1/2006	Bigley	2010/0013794	A1	1/2010	Abileah et al.
2006/0012580	A1	1/2006	Perski et al.	2010/0013796	A1	1/2010	Abileah et al.
2006/0026521	A1	2/2006	Hotelling et al.	2010/0020037	A1	1/2010	Narita et al.
2006/0034492	A1	2/2006	Siegel et al.	2010/0020044	A1	1/2010	Abileah et al.
2006/0120013	A1	6/2006	Diorio et al.	2010/0045904	A1	2/2010	Katoh et al.
2006/0125971	A1	6/2006	Abileah et al.	2010/0051356	A1	3/2010	Stern et al.
2006/0170658	A1	8/2006	Nakamura et al.	2010/0053113	A1	3/2010	Wu
2006/0176288	A1	8/2006	Pittel et al.	2010/0059296	A9	3/2010	Abileah et al.
2006/0187367	A1	8/2006	Abileah et al.	2010/0060590	A1	3/2010	Wilson et al.
2006/0197753	A1	9/2006	Hotelling	2010/0066693	A1*	3/2010	Sato et al. 345/173
2006/0202975	A1	9/2006	Chiang	2010/0073323	A1*	3/2010	Geaghan 345/174
2006/0249763	A1	11/2006	Mochizuki et al.	2010/0085325	A1	4/2010	King-Smith et al.
2006/0250381	A1	11/2006	Geaghan	2010/0118237	A1	5/2010	Katoh et al.
2006/0279690	A1	12/2006	Yu et al.	2010/0155153	A1	6/2010	Zachut
2007/0030258	A1	2/2007	Pittel et al.	2010/0194692	A1	8/2010	Orr et al.
2007/0062852	A1	3/2007	Zachut et al.	2010/0252335	A1	10/2010	Orsley
2007/0109239	A1	5/2007	den Boer et al.	2010/0271332	A1	10/2010	Wu et al.
2007/0109286	A1	5/2007	Nakamura et al.	2010/0289754	A1	11/2010	Sleeman et al.
2007/0131991	A1	6/2007	Sugawa	2010/0302419	A1	12/2010	den Boer et al.
2007/0216905	A1	9/2007	Han et al.	2010/0315384	A1	12/2010	Hargreaves et al.
2007/0279346	A1	12/2007	den Boer et al.	2010/0315394	A1	12/2010	Katoh et al.
2007/0285405	A1	12/2007	Rehm	2010/0327882	A1	12/2010	Shahparnia et al.
2008/0012835	A1	1/2008	Rimon et al.	2011/0001708	A1	1/2011	Sleeman
2008/0012838	A1	1/2008	Rimon	2011/0007029	A1	1/2011	Ben-David
2008/0029691	A1	2/2008	Han	2011/0043489	A1	2/2011	Yoshimoto
				2011/0063993	A1	3/2011	Wilson et al.
				2011/0084857	A1	4/2011	Marino et al.
				2011/0084937	A1	4/2011	Chang et al.
				2011/0090181	A1	4/2011	Maridakis

(56)

References Cited

U.S. PATENT DOCUMENTS

2011/0169771 A1 7/2011 Fujioka et al.
 2011/0175834 A1* 7/2011 Han et al. 345/173
 2011/0216032 A1 9/2011 Oda et al.
 2011/0254807 A1 10/2011 Perski et al.
 2011/0304592 A1 12/2011 Booth et al.
 2012/0013555 A1 1/2012 Maeda et al.
 2012/0019488 A1 1/2012 McCarthy
 2012/0050207 A1* 3/2012 Westhues et al. 345/174
 2012/0056822 A1* 3/2012 Wilson et al. 345/173
 2012/0062497 A1* 3/2012 Rebesch et al. 345/174
 2012/0062500 A1 3/2012 Miller et al.
 2012/0068964 A1 3/2012 Wright et al.
 2012/0086664 A1 4/2012 Leto
 2012/0105362 A1* 5/2012 Kremin et al. 345/174
 2012/0146958 A1* 6/2012 Oda et al. 345/179
 2012/0154340 A1* 6/2012 Vuppu et al. 345/179
 2012/0182259 A1 7/2012 Han
 2012/0242603 A1 9/2012 Engelhardt et al.
 2012/0274580 A1 11/2012 Sobel et al.
 2012/0293464 A1 11/2012 Adhikari
 2012/0327040 A1 12/2012 Simon
 2012/0327041 A1 12/2012 Harley
 2012/0327042 A1 12/2012 Harley
 2012/0331546 A1 12/2012 Falkenburg
 2013/0027361 A1 1/2013 Perski et al.
 2013/0088465 A1 4/2013 Geller et al.
 2013/0106722 A1 5/2013 Shahparnia et al.
 2013/0113707 A1 5/2013 Perski et al.
 2013/0127757 A1 5/2013 Mann et al.
 2014/0028576 A1 1/2014 Shahparnia
 2014/0028577 A1 1/2014 Krah
 2014/0028607 A1 1/2014 Tan

FOREIGN PATENT DOCUMENTS

EP 0 306 596 A2 3/1989
 EP 0 366 913 B1 5/1990
 EP 0 384 509 B1 8/1990
 EP 0 426 362 A2 5/1991
 EP 0 426 469 A2 5/1991
 EP 0 464 908 B1 1/1992
 EP 0 488 455 B1 6/1992
 EP 0 490 683 B1 6/1992
 EP 0 491 436 B1 6/1992
 EP 0 509 589 B1 10/1992
 EP 0 545 709 B1 6/1993
 EP 0 572 009 A1 12/1993
 EP 0 572 182 B1 12/1993
 EP 0 587 236 B1 3/1994
 EP 0 601 837 B1 6/1994
 EP 0 618 527 B1 10/1994
 EP 0 633 542 B1 1/1995
 EP 0 762 319 A2 3/1997
 EP 0 762 319 A3 3/1997
 EP 0 770 971 A2 5/1997
 EP 0 962 881 A2 12/1999
 EP 1 022 675 A2 7/2000
 EP 1 128 170 A1 8/2001
 EP 2 172 834 A2 4/2010
 EP 2 221 659 A1 8/2010
 JO 10-133819 A 5/1998
 JP 55-074635 A 6/1980
 JP 57-203129 A 12/1982
 JP 60-179823 A 9/1985
 JP 64-006927 U 1/1989
 JP 64-040004 U 2/1989
 JP 1-196620 A 8/1989
 JP 2-182581 A 7/1990
 JP 2-211421 A 8/1990
 JP 5-019233 A 1/1993
 JP 5-173707 A 7/1993
 JP 05-243547 A 9/1993
 JP 8-166849 A 6/1996
 JP 9-001279 A 1/1997

JP 9-185457 A 7/1997
 JP 9-231002 A 9/1997
 JP 9-274537 A 10/1997
 JP 10-027068 A 1/1998
 JP 10-040004 A 2/1998
 JP 10-133817 A 5/1998
 JP 10-186136 A 7/1998
 JP 10-198515 A 7/1998
 JP 11-110110 A 4/1999
 JP 11-242562 A 9/1999
 JP 2000-020241 A 1/2000
 JP 2000-163031 A 6/2000
 JP 2002-342033 A 11/2002
 JP 2005-129948 A 5/2005
 JP 2005-352490 A 12/2005
 TW 200925944 6/2009
 TW 201118682 A1 6/2011
 WO WO-97/40488 A1 10/1997
 WO WO-99/22338 A1 5/1999
 WO WO-01/45283 A1 6/2001
 WO WO-2006/104214 A1 10/2006
 WO WO-2007/145346 A1 12/2007
 WO WO-2007/145347 A1 12/2007
 WO WO-2008/018201 A1 2/2008
 WO WO-2008/044368 A1 4/2008
 WO WO-2008/044369 A1 4/2008
 WO WO-2008/044370 A1 4/2008
 WO WO-2008/044371 A1 4/2008
 WO WO-2008/047677 A1 4/2008
 WO WO-2009/081810 A1 7/2009
 WO WO-2011/008533 A2 1/2011
 WO WO-2012/177567 A1 12/2012
 WO WO-2012/177571 A1 12/2012
 WO WO-2012/177573 A2 12/2012
 WO WO-2012/177569 A2 3/2013
 WO WO-2012/177569 A3 3/2013
 WO WO-2014/018233 A1 1/2014

OTHER PUBLICATIONS

International Search Report mailed Oct. 17, 2012, for PCT Application No. PCT/US2012/043023, filed Jun. 18, 2012, six pages.
 Non-Final Office Action mailed Apr. 20, 2012, for U.S. Appl. No. 12/566,455, filed Sep. 24, 2009, nine pages.
 Non-Final Office Action mailed Jun. 5, 2012, for U.S. Appl. No. 11/595,071, filed Nov. 8, 2006, 15 pages.
 Non-Final Office Action mailed Jun. 19, 2012, for U.S. Appl. No. 11/977,864, filed Oct. 26, 2007, eight pages.
 Final Office Action mailed May 18, 2011, for U.S. Appl. No. 11/978,031, filed Oct. 25, 2007, 17 pages.
 Non-Final Office Action mailed Apr. 29, 2011 for U.S. Appl. No. 11/977,911, 19 pages.
 Final Office Action mailed Sep. 29, 2011, for U.S. Appl. No. 11/977,911, filed Oct. 26, 2007, 22 pages.
 Non-Final Office Action mailed Nov. 2, 2011, for U.S. Appl. No. 12/568,316, filed Sep. 28, 2009, 31 pages.
 Non-Final Office Action mailed Nov. 4, 2011, for U.S. Appl. No. 12/568,302, filed Sep. 28, 2009, 29 pages.
 Final Office Action mailed Oct. 11, 2012, for U.S. Appl. No. 12/566,455, filed Sep. 24, 2009, eight pages.
 Final Office Action mailed Oct. 25, 2012, for U.S. Appl. No. 12/568,302, filed Sep. 28, 2009, 14 pages.
 Final Office Action mailed Oct. 25, 2012, for U.S. Appl. No. 12/568,316, filed Sep. 28, 2009, 16 pages.
 Non-Final Office Action mailed Nov. 15, 2012, for U.S. Appl. No. 12/566,477, filed Sep. 24, 2009, 12 pages.
 Non-Final Office Action mailed Nov. 17, 2011, for U.S. Appl. No. 11/977,339, filed Oct. 24, 2007, six pages.
 Non-Final Office Action mailed Jan. 10, 2012, for U.S. Appl. No. 11/977,864, filed Oct. 26, 2007, nine pages.
 Notification of Reasons for Rejection mailed Dec. 19, 2011, for JP Patent Application No. 2008-540205, with English Translation, six pages.
 Westerman, W. (Spring 1999). "Hand Tracking, Finger Identification, and Chordic Manipulation on a Multi-Touch Surface," A Dissertation Submitted to the Faculty of the University of Delaware in

(56)

References Cited

OTHER PUBLICATIONS

Partial Fulfillment of the Requirements for the Degree of Doctor of Philosophy in Electrical Engineering, 364 pages.

Abileah, A. et al. (2006). "9.3: Optical Sensors Embedded within AMLCD Panel: Design and Applications," *ADEAC '06, SID* (Atlanta) pp. 102-105.

Abileah, A. et al. (2007). "Optical Sensors Embedded within AMLCD Panel: Design and Applications," *Siggraph-07*, San Diego, 5 pages.

Bobrov, Y. et al. (2002). "5.2 Manufacturing of a Thin-Film LCD," *Optiva, Inc.*, San Francisco, CA. 4 pages.

Brown, C. et al. (2007). "7.2: A 2.6 inch VGA LCD with Optical Input Function using a 1-Transistor Active-Pixel Sensor," *ISSCC 2007* pp. 132-133, 592.

Den Boer, W. et al. (2003). "56.3: Active Matrix LCD with Integrated Optical Touch Screen," *SID '03 Digest* (Baltimore) pp. 1-4.

Echtler, F. et al. (Jan. 2010). "An LED-based Multitouch Sensor for LCD Screens," Cambridge, MA *ACM* 4 pages.

Final Office Action mailed Mar. 4, 2004, for U.S. Appl. No. 10/217,798, filed Aug. 12, 2002, 17 pages.

Final Office Action mailed Jan. 21, 2005, for U.S. Appl. No. 10/329,217, filed Dec. 23, 2002, 13 pages.

Final Office Action mailed Aug. 9, 2005, for U.S. Appl. No. 10/442,433, filed May 20, 2003, 13 pages.

Final Office Action mailed Aug. 23, 2005, for U.S. Appl. No. 10/217,798, filed Aug. 12, 2002, 10 pages.

Final Office Action mailed Dec. 13, 2005, for U.S. Appl. No. 10/371,413, filed Feb. 20, 2003, seven pages.

Final Office Action mailed May 23, 2007, for U.S. Appl. No. 11/137,753, filed May 25, 2005, 12 pages.

Final Office Action mailed Oct. 18, 2007, for U.S. Appl. No. 11/351,098, filed Feb. 8, 2006, six pages.

Final Office Action mailed Oct. 31, 2007, for U.S. Appl. No. 10/217,798, filed Aug. 12, 2002, 10 pages.

Final Office Action mailed Mar. 24, 2009, for U.S. Appl. No. 11/351,098, filed Feb. 8, 2006, 11 pages.

Final Office Action mailed Feb. 10, 2011, for U.S. Appl. No. 11/901,649, filed Sep. 18, 2007, 20 pages.

Hong, S.J. et al. (2005). "Smart LCD Using a-Si Photo Sensor," *IMID '05 Digest* pp. 280-283.

International Preliminary Report on Patentability and Written Opinion mailed Oct. 8, 2004, for PCT Application No. PCT/US03/05300, filed Feb. 20, 2003, 15 pages.

International Preliminary Report on Patentability and Written Opinion mailed Dec. 30, 2004, for PCT Application No. PCT/US02/25573, filed Aug. 12, 2002, 16 pages.

International Preliminary Report on Patentability and Written Opinion mailed May 14, 2008, for PCT Application No. PCT/US06/43741, filed Nov. 10, 2006, four pages.

International Search Report mailed Apr. 14, 2003, for PCT Application No. PCT/US02/25573, filed Aug. 12, 2002 two pages.

International Search Report mailed Jun. 16, 2003, for PCT Application No. PCT/US03/05300, filed Feb. 20, 2003, two pages.

International Search Report mailed Nov. 11, 2003, for PCT Application No. PCT/US03/03277, filed Feb. 4, 2003, three pages.

International Search Report mailed Sep. 21, 2007, for PCT Application No. PCT/US06/43741, filed Nov. 10, 2006, one page.

Kim, J.H. et al. (May 14, 2000). "24.1: Fingerprint Scanner Using a-Si: H TFT-Array," *SID '00 Digest* pp. 353-355.

Kis, A. (2006). "Tactile Sensing and Analogic Algorithms," Ph.D. Dissertation, Péter Pázmány Catholic University, Budapest, Hungary 122 pages.

Lee, S.K. et al. (Apr. 1985). "A Multi-Touch Three Dimensional Touch-Sensitive Tablet," *Proceedings of CHI: ACM Conference on Human Factors in Computing Systems*, pp. 21-25.

Non-Final Office Action mailed May 21, 2004, for U.S. Appl. No. 10/329,217, filed Dec. 23, 2002, 14 pages.

Non-Final Office Action mailed Sep. 21, 2004, for U.S. Appl. No. 10/442,433, filed May 20, 2003, seven pages.

Non-Final Office Action mailed Nov. 26, 2004, for U.S. Appl. No. 10/307,106, filed Nov. 27, 2002, nine pages.

Non-Final Office Action mailed Dec. 10, 2004, for U.S. Appl. No. 10/217,798, filed Aug. 12, 2002, 10 pages.

Non-Final Office Action mailed Jan. 21, 2005, for U.S. Appl. No. 10/347,149, filed Jan. 17, 2003, 10 pages.

Non-Final Office Action mailed Apr. 15, 2005, for U.S. Appl. No. 10/371,413, Filed Feb. 20, 2003, five pages.

Non-Final Office Action mailed Jun. 22, 2005, for U.S. Appl. No. 10/739,455, filed Dec. 17, 2003, 11 pages.

Non-Final Office Action mailed Jul. 12, 2005, for U.S. Appl. No. 10/347,149, filed Jan. 17, 2003, four pages.

Non-Final Office Action mailed Jan. 13, 2006, for U.S. Appl. No. 10/217,798, filed Aug. 12, 2002, nine pages.

Non-Final Office Action mailed May 12, 2006, for U.S. Appl. No. 10/217,798, filed Aug. 12, 2002, eight pages.

Non-Final Office Action mailed Aug. 28, 2006, for U.S. Appl. No. 10/371,413, filed Feb. 20, 2003, seven pages.

Non-Final Office Action mailed Jun. 28, 2007, for U.S. Appl. No. 11/351,098, filed Feb. 8, 2006, 13 pages.

Non-Final Office Action mailed Jun. 29, 2007, for U.S. Appl. No. 10/217,798, filed Aug. 12, 2002, 11 pages.

Non-Final Office Action mailed Feb. 25, 2008, for U.S. Appl. No. 11/137,753, filed May 25, 2005, 16 pages.

Non-Final Office Action mailed Jun. 24, 2008, for U.S. Appl. No. 11/351,098, filed Feb. 8, 2006, 12 pages.

Non-Final Office Action mailed Jun. 25, 2009, for U.S. Appl. No. 11/980,029, filed Oct. 29, 2007, 10 pages.

Non-Final Office Action mailed Nov. 23, 2009, for U.S. Appl. No. 11/407,545, filed Apr. 19, 2006, six pages.

Non-Final Office Action mailed Jul. 29, 2010, for U.S. Appl. No. 11/901,649, filed Sep. 18, 2007, 22 pages.

Non-Final Office Action mailed Oct. 13, 2010, for U.S. Appl. No. 11/978,006, filed Oct. 25, 2007, nine pages.

Non-Final Office Action mailed Oct. 14, 2010, for U.S. Appl. No. 11/595,071, filed Nov. 8, 2006, eight pages.

Non-Final Office Action mailed Nov. 26, 2010, for U.S. Appl. No. 11/977,279, filed Oct. 24, 2007, 10 pages.

Non-Final Office Action mailed Nov. 26, 2010, for U.S. Appl. No. 11/977,830, filed Oct. 26, 2007, eight pages.

Non-Final Office Action mailed Dec. 13, 2010, for U.S. Appl. No. 11/977,339, filed Oct. 24, 2007, nine pages.

Non-Final Office Action mailed Feb. 1, 2011, for U.S. Appl. No. 11/978,031, filed Oct. 25, 2007, 20 pages.

Pye, A. (Mar. 2001). "Top Touch-Screen Options," located at <http://www.web.archive.org/web/20010627162135/http://www.industrialtechnology.co.uk/2001/mar/touch.html>, last visited Apr. 29, 2004, two pages.

Rossiter, J. et al. (2005). "A Novel Tactile Sensor Using a Matrix of LEDs Operating in Both Photoemitter and Photodetector Modes," *IEEE* pp. 994-997.

Rubine, D.H. (Dec. 1991). "The Automatic Recognition of Gestures," CMU-CS-91-202, Submitted in Partial Fulfillment of the Requirements for the Degree of Doctor of Philosophy in Computer Science at Carnegie Mellon University, 285 pages.

Rubine, D.H. (May 1992). "Combining Gestures and Direct Manipulation," *CHI '92*, pp. 659-660.

Yamaguchi, M. et al. (Jan. 1993). "Two-Dimensional Contact-Type Image Sensor Using Amorphous Silicon Photo-Transistor," *Jpn. J. Appl. Phys.* 32(Part 1, No. 1B):458-461.

Final Office Action mailed Jun. 15, 2011, for U.S. Appl. No. 11/595,071, filed Nov. 8, 2006, 9 pages.

Final Office Action mailed Jun. 24, 2011, for U.S. Appl. No. 11/978,006, filed Oct. 25, 2007, 12 pages.

Final Office Action mailed Jul. 5, 2011, for U.S. Appl. No. 11/977,279, filed Oct. 24, 2007, 12 pages.

Non-Final Office Action mailed Jun. 21, 2011, for U.S. Appl. No. 11/977,339, filed Oct. 24, 2007, 11 pages.

Non-Final Office Action mailed Jun. 28, 2011, for U.S. Appl. No. 12/852,883, filed Aug. 8, 2010, 16 pages.

International Search Report mailed Jan. 16, 2013, for PCT Application No. PCT/US2012/043021, filed Jun. 18, 2012, six pages.

(56)

References Cited

OTHER PUBLICATIONS

Non-Final Office Action mailed Jan. 31, 2012, for U.S. Appl. No. 12/566,477, filed Sep. 24, 2009, 11 pages.
Non-Final Office Action mailed Feb. 29, 2012, for U.S. Appl. No. 11/978,031, filed Oct. 25, 2007, 20 pages.
International Search Report mailed Feb. 18, 2013, for PCT Application No. PCT/US2012/043025, filed Jun. 18, 2012, six pages.
Non-Final Office Action mailed Mar. 14, 2013, for U.S. Appl. No. 13/166,743, filed Jun. 22, 2011, 17 pages.
Non-Final Office Action mailed Mar. 29, 2013, for U.S. Appl. No. 13/166,699, filed Jun. 22, 2011, 17 pages.
U.S. Appl. No. 60/359,263, filed Feb. 20, 2002, by den Boer et al.
U.S. Appl. No. 60/383,040, filed May 23, 2002, by Abileah et al.
U.S. Appl. No. 60/736,708, filed Nov. 14, 2005, by den Boer et al.
U.S. Appl. No. 60/821,325, filed Aug. 3, 2006, by Abileah et al.
Final Office Action mailed Oct. 31, 2013, for U.S. Appl. No. 13/166,699, filed Jun. 22, 2011, 13 pages.
Final Office Action mailed Jan. 13, 2014, for U.S. Appl. No. 12/568,316, filed Sep. 28, 2009, 15 pages.
International Search Report mailed Sep. 12, 2013, for PCT Application No. PCT/US2013/048977, filed Jul. 1, 2013, four pages.
International Search Report mailed Apr. 23, 2014, for PCT Application No. PCT/US2014/013927, filed Jan. 30, 2014, four pages.
Non-Final Office Action mailed Jun. 17, 2013, for U.S. Appl. No. 13/166,711, filed Jun. 22, 2011, eight pages.

Non-Final Office Action mailed Sep. 18, 2013, for U.S. Appl. No. 13/652,007, filed Oct. 15, 2012, 16 pages.
Non-Final Office Action mailed Dec. 16, 2013, for U.S. Appl. No. 13/166,711, filed Jun. 22, 2011, 12 pages.
Non-Final Office Action mailed Feb. 27, 2014, for U.S. Appl. No. 11/977,279, filed Oct. 24, 2007, 11 pages.
Non-Final Office Action mailed Mar. 14, 2014, for U.S. Appl. No. 11/977,339, filed Oct. 24, 2007, 10 pages.
Non-Final Office Action mailed Apr. 24, 2014, for U.S. Appl. No. 13/560,958, filed Jul. 27, 2012, nine pages.
Non-Final Office Action mailed May 8, 2014, for U.S. Appl. No. 13/560,973, filed Jul. 27, 2012, six pages.
Final Office Action mailed Apr. 28, 2014, for U.S. Appl. No. 13/652,007, filed Oct. 15, 2012, 16 pages.
Final Office Action mailed Jul. 14, 2014, for U.S. Appl. No. 13/166,711, filed Jun. 22, 2011, 12 pages.
Non-Final Office Action mailed Jun. 4, 2014, for U.S. Appl. No. 13/560,963, filed Jul. 27, 2012, nine pages.
Non-Final Office Action mailed Jun. 27, 2014, for U.S. Appl. No. 13/166,699, filed Jun. 22, 2011, 13 pages.
Search Report dated Jun. 12, 2014, for ROC (Taiwan) Patent Application No. 101122110, one page.
TW Search Report dated Jul. 8, 2014, for TW Patent Application No. 101122107, filed Jun. 20, 2012, one page.
TW Search Report dated Jul. 7, 2014, for TW Patent Application No. 101122109, filed Jun. 20, 2012, one page.

* cited by examiner

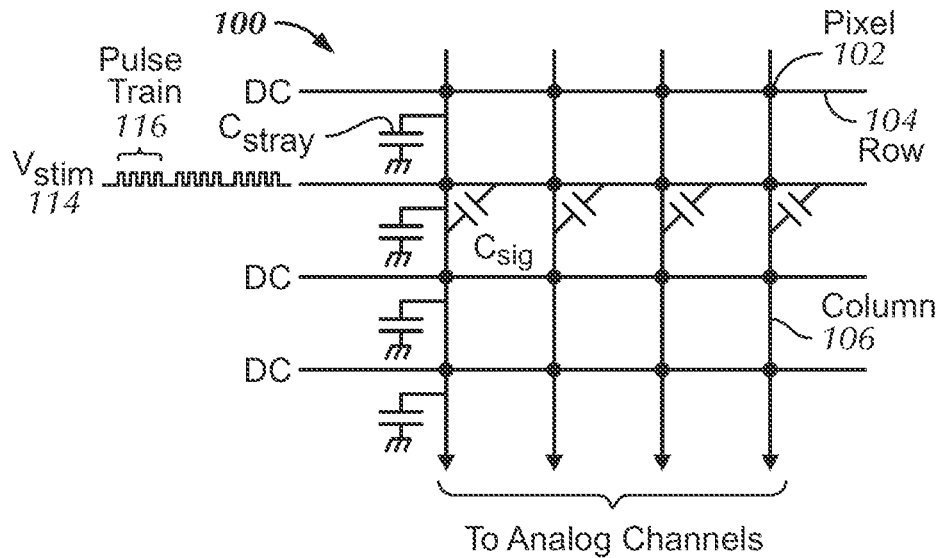


FIG. 1A

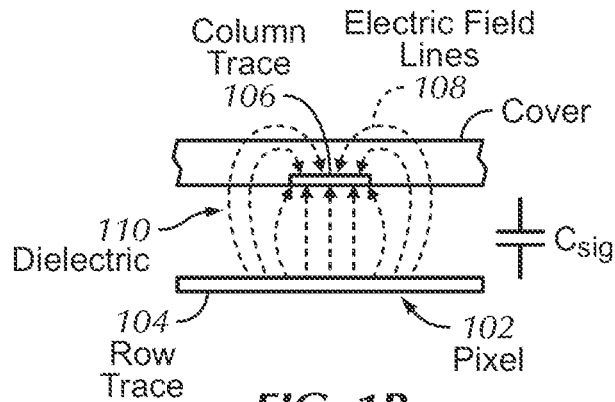


FIG. 1B

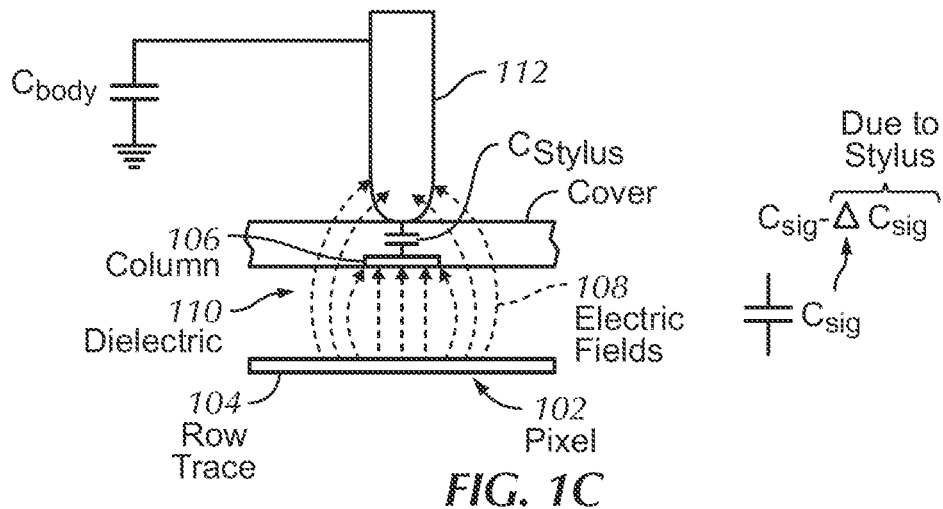
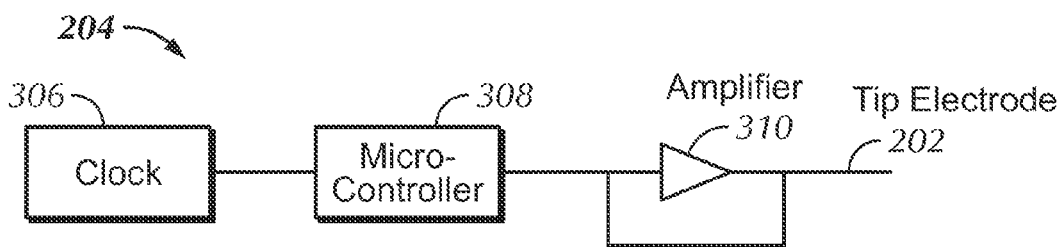
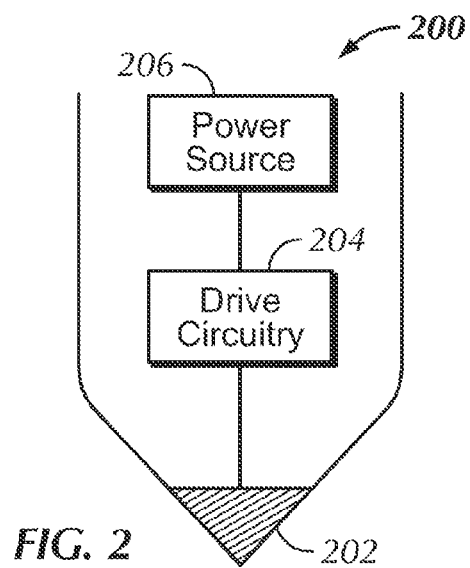
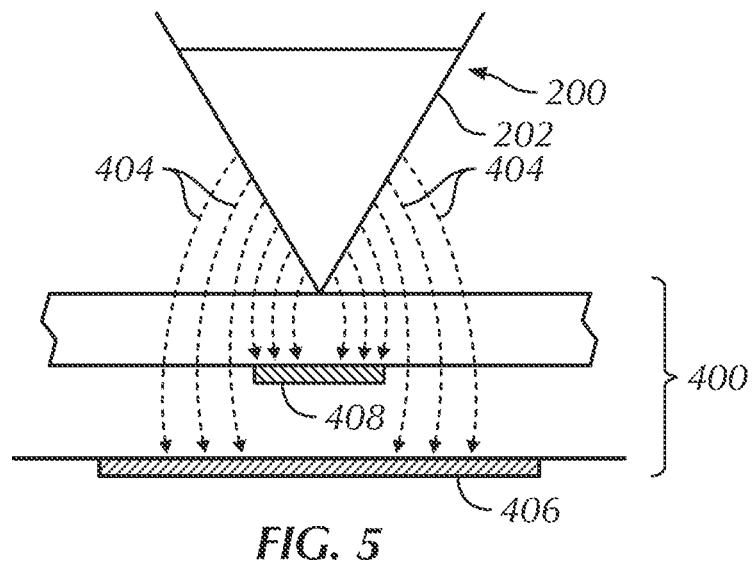
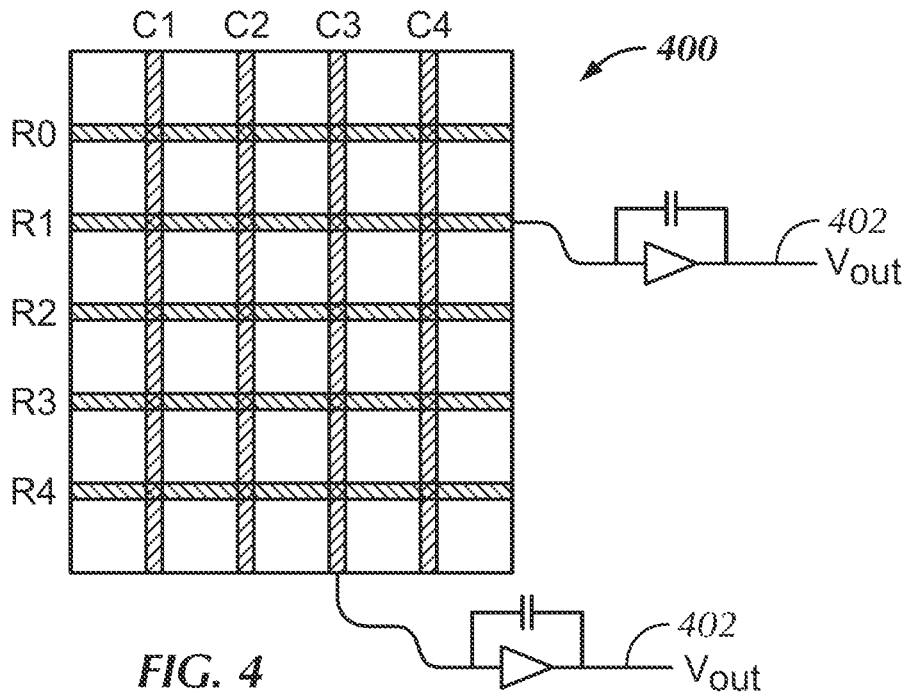


FIG. 1C





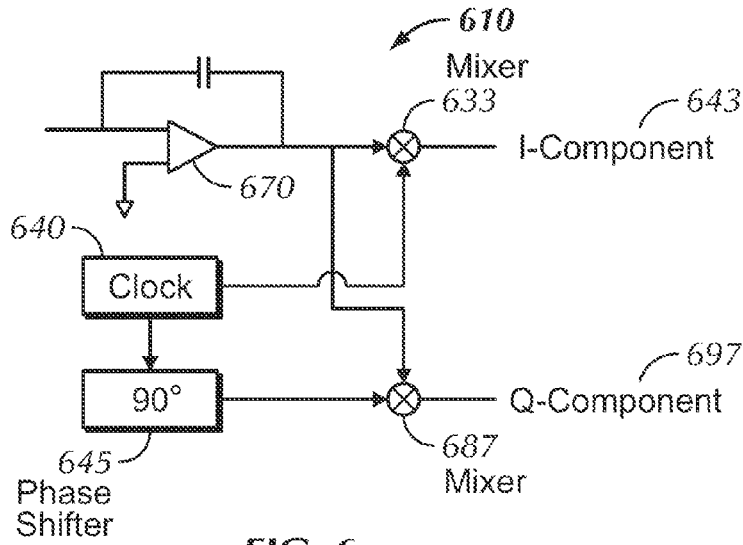


FIG. 6

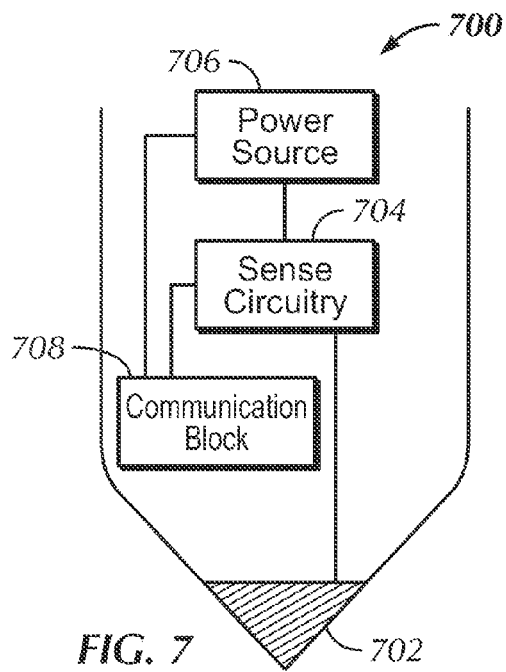


FIG. 7

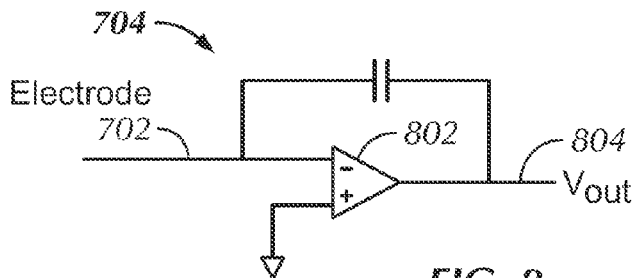


FIG. 8

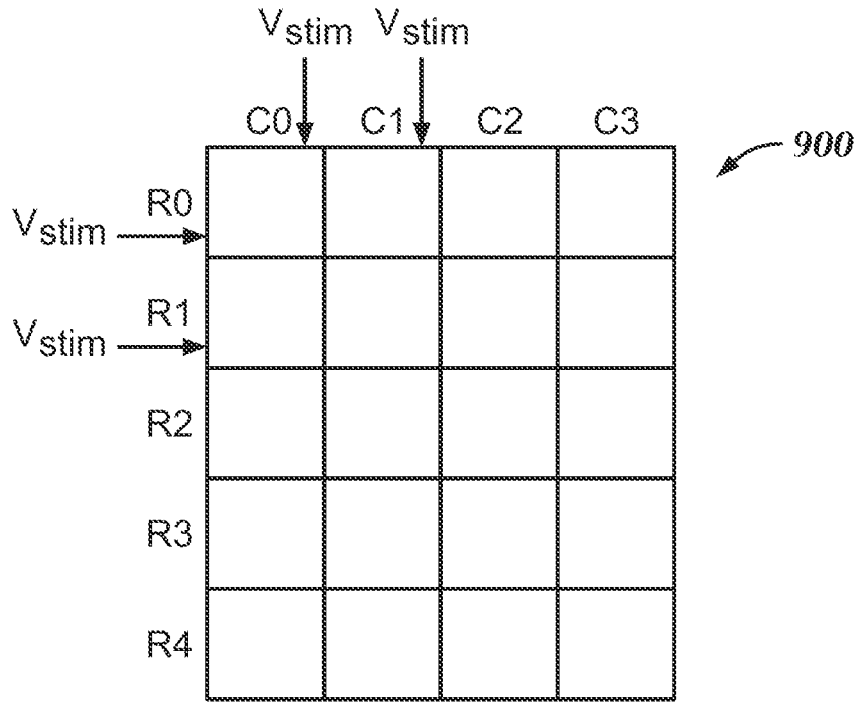


FIG. 9

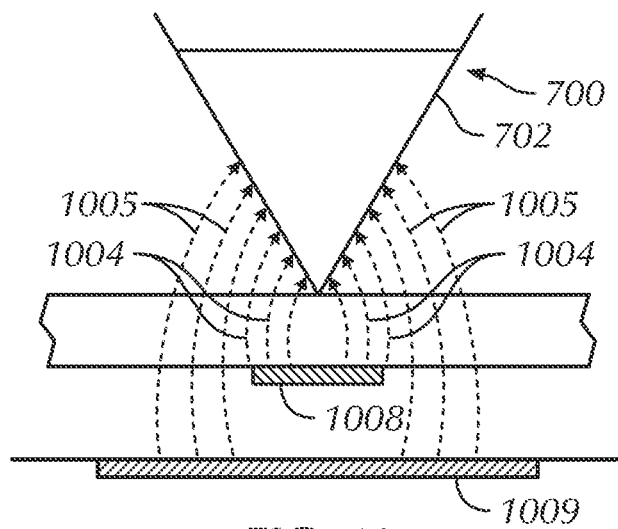


FIG. 10

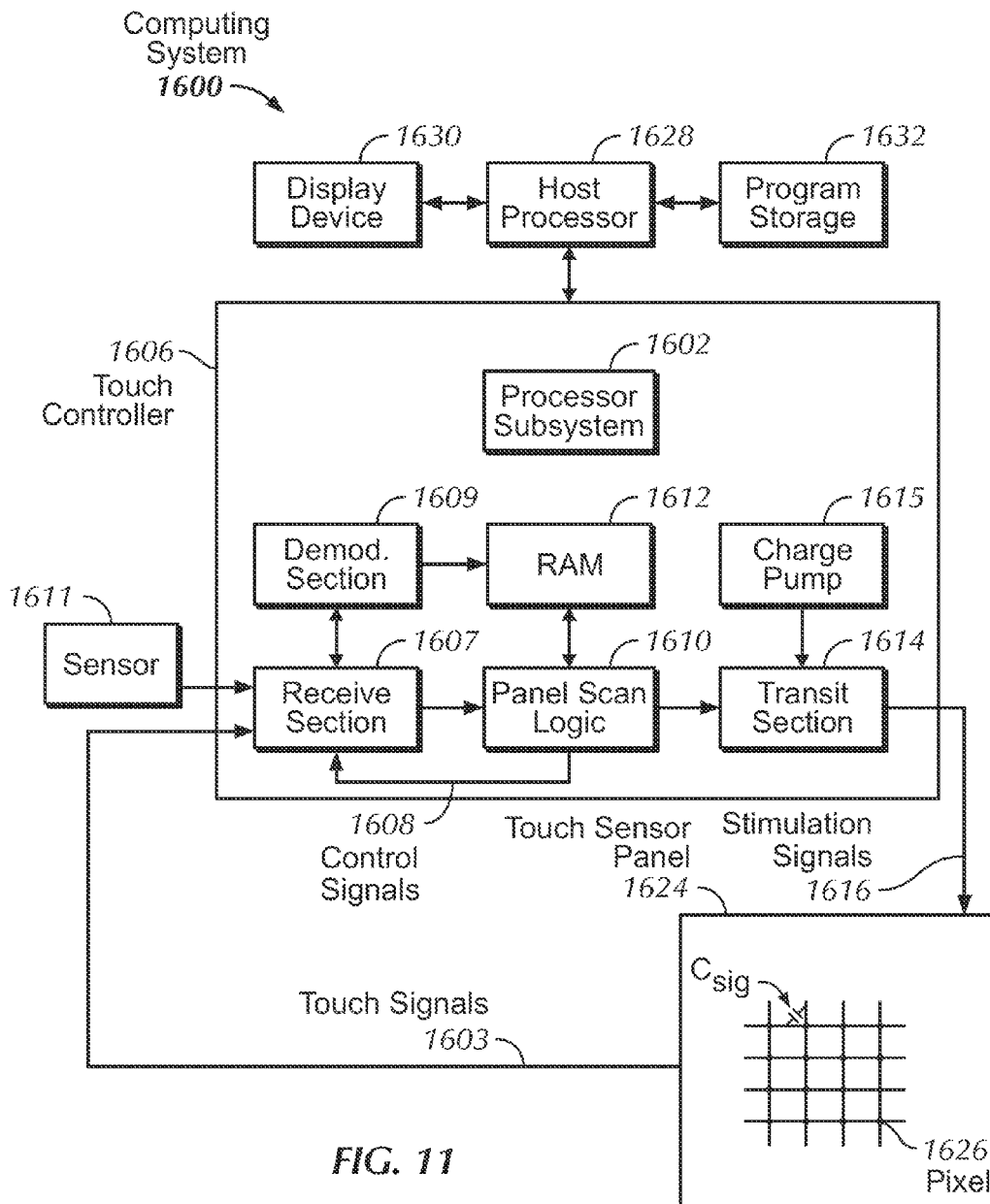


FIG. 11

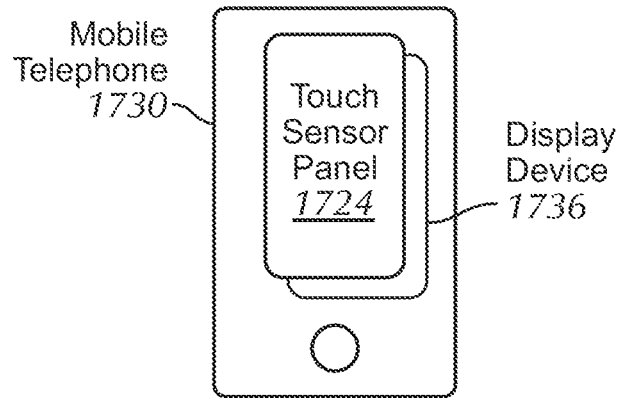


FIG. 12

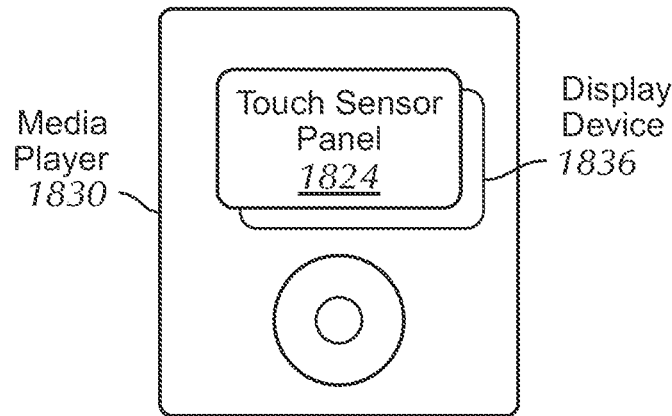


FIG. 13

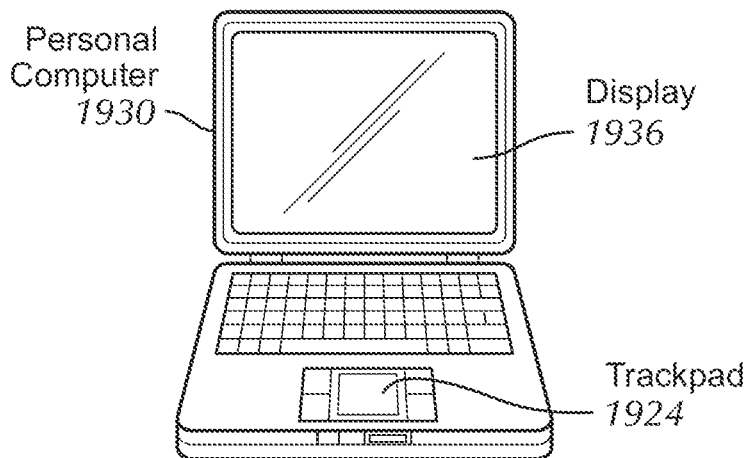


FIG. 14

1

ACTIVE STYLUS

FIELD

This relates generally to touch sensing, and more particularly, to providing a stylus that can act as a drive and/or sense element in a capacitive touch system.

BACKGROUND

Many types of input devices are available for performing operations in a computing system, such as buttons or keys, mice, trackballs, touch sensor panels, joysticks, touch pads, touch screens, and the like. Touch sensitive devices, and touch screens, in particular, are becoming increasingly popular because of their ease and versatility of operation as well as their declining price. Touch sensitive devices can include a touch sensor panel, which can be a clear panel with a touch sensitive surface, and a display device such as a liquid crystal display (LCD) that can be positioned partially or fully behind the panel, or integrated with the panel, so that the touch sensitive surface can substantially cover the viewable area of the display device. Touch sensitive devices can generally allow a user to perform various functions by touching or hovering over the touch sensor panel using one or more fingers, a stylus or other object at a location often dictated by a user interface (UI) including virtual buttons, keys, bars, displays, and other elements, being displayed by the display device. In general, touch screens can recognize a touch event and the position of the touch event on the touch sensor panel or a hover event and the position of the hover event on the touch sensor panel, and the computing system can then interpret the touch or hover event in accordance with the display appearing at the time of the event, and thereafter can perform one or more operations based on the event.

Touch screens can allow a user to perform various functions by touching the touch sensor panel using a finger, stylus or other object. More advanced touch screens are capable of detecting multiple touches simultaneously. In general, touch screens can recognize the position of the one or more touches on the touch sensor panel, and a computing system can then interpret the touches, either individually or as a single gesture in accordance with the display appearing at the time of the touch event, and thereafter can perform one or more actions based on the touch event.

When a stylus has been used as an input device in a capacitive touch system, the stylus has traditionally been finger-like in nature. A conventional stylus is often simply a conductive rod with a finger-sized rounded tip large enough to disrupt the electric field lines between the drive and sense electrodes of a capacitive touch sensor panel. As such, conventional styluses are passive input devices in that they are incapable of actively transmitting stimulus signals or sensing a touch-induced capacitance change in a capacitive touch sensor panel.

SUMMARY

This generally relates to a stylus that can act as a drive and/or a sense element in a capacitive touch system. Unlike conventional styluses which work passively by blocking electric field lines between the drive and sense electrodes of a capacitive touch sensor panel, the styluses disclosed in the various embodiments of this disclosure can either act as a drive electrode to create an electric field between the drive electrode and the sense lines of a mutual capacitive touch sensor panel, or as a sense electrode for sensing capacitively coupled signals from one or more stimulated drive rows and

2

columns of the touch sensor panel or both. Accordingly, the styluses disclosed herein can be referred to as active styluses in comparison to conventional passive styluses. These active styluses can significantly improve stylus sensing on a mutual capacitive touch sensor panel without incurring significant additional cost.

BRIEF DESCRIPTION OF THE DRAWINGS

FIG. 1a illustrates the underlying structure of an exemplary capacitive touch sensor panel.

FIGS. 1b and 1c illustrate the capacitive touch sensor panel of FIG. 1a interacting with an exemplary passive stylus.

FIG. 2 illustrates an exemplary active stylus for use with a capacitive touch sensor panel according to various embodiments.

FIG. 3 illustrates exemplary drive circuitry of the active stylus of FIG. 2 according to various embodiments.

FIG. 4 illustrates the structure of an exemplary capacitive touch sensor panel according to various embodiments.

FIG. 5 illustrates the interaction between the active stylus of FIG. 2 with the touch sensor panel of FIG. 4 according to various embodiments.

FIG. 6 illustrates exemplary sense circuitry of the touch sensor panel of FIG. 4 according to various embodiments.

FIG. 7 illustrates another exemplary active stylus for use with a capacitive touch sensor panel according to various embodiments.

FIG. 8 illustrates exemplary sense circuitry of the active stylus of FIG. 7 according to various embodiments.

FIG. 9 illustrates the structure of another exemplary touch sensor panel according to various embodiments.

FIG. 10 illustrates the interaction between the active stylus of FIG. 7 with the touch sensor panel of FIG. 9 according to various embodiments.

FIG. 11 illustrates an exemplary computing system for use with a stylus according to various embodiments.

FIG. 12 illustrates an exemplary mobile telephone for use with a stylus according to various embodiments.

FIG. 13 illustrates an exemplary digital media player for use with a stylus according to various embodiments.

FIG. 14 illustrates an exemplary personal computer for use with a stylus according to various embodiments.

DETAILED DESCRIPTION

In the following description of example embodiments, reference is made to the accompanying drawings in which it is shown by way of illustration specific embodiments that can be practiced. It is to be understood that other embodiments can be used and structural changes can be made without departing from the scope of the various embodiments.

This generally relates to a stylus that can act as a drive and/or a sense element in a capacitive touch system. Unlike conventional styluses which work passively by blocking electric field lines between the drive and sense electrodes of a capacitive touch sensor panel, the styluses disclosed in the various embodiments of this disclosure can either act as a drive electrode to create an electric field between the drive electrode and the sense lines of a mutual capacitive touch sensor panel, or as a sense electrode for sensing capacitively coupled signals from one or more stimulated drive rows and columns of the touch sensor panel or both. Accordingly, the styluses disclosed herein can be referred to as active styluses in comparison to conventional passive styluses. These active

styluses can significantly improve stylus sensing on a mutual capacitive touch sensor panel without incurring significant additional cost.

In the following paragraphs, a brief description of the structure of a typical capacitive touch sensor panel and its interaction with a conventional passive stylus is first discussed before the various exemplary embodiments of the disclosure are introduced.

Capacitive touch sensor panels are well known in the art and have been widely adopted in various types of electronic devices, such as tablet PCs (e.g., the iPad® from Apple Inc. of Cupertino, Calif.) and smartphones (e.g., the iPhone® from Apple Inc. of Cupertino, Calif.). One popular type of capacitive touch sensor panel can include a mutual capacitive touch sensor panel formed from drive and sense lines (e.g., rows and columns of traces) on opposite sides of a dielectric, or adjacent to each other on the same side of a substrate. At the “intersections” of the traces, where the traces pass above and below or are adjacent to each other (but do not make direct electrical contact with each other), the traces essentially form two electrodes. In one embodiment, touch sensor panels for use over display devices may utilize a top layer of glass upon which transparent column traces of indium tin oxide (ITO) or antimony tin oxide (ATO) have been etched, and a bottom layer of glass upon which row traces of ITO have been etched. The top and bottom glass layers can be separated by a clear polymer spacer that acts as a dielectric between the row and column traces. Other touch sensor panel configurations, such as those with drive and sense lines on opposite sides of a substrate or on the same side of a substrate, and self-capacitance touch sensor panels are also contemplated for use with embodiments of the disclosure.

FIG. 1a illustrates an exemplary capacitive touch sensor panel 100. FIG. 1a indicates the presence of a stray capacitance C_{stray} at each pixel 102 located at the intersection of a row 104 and a column 106 traces (although C_{stray} for only one column is illustrated in FIG. 1a for purposes of simplifying the figure). Note that although FIG. 1a illustrates rows 104 and columns 106 as being substantially perpendicular, they need not be so aligned. In the example of FIG. 1a, AC stimulus V_{stim} 114 is being applied to one row, with all other rows connected to DC. The stimulus causes a charge to be injected in to the column electrodes through mutual capacitance at the intersection points. Each of columns 106 may be selectively connectable to one or more analog channels.

FIG. 1b provides a side view of exemplary touch pixel 102 in a steady-state (no-touch) condition. In FIG. 1b, an electric field of electric field lines 108 of the mutual capacitance between column 106 and row 104 traces or electrodes separated by dielectric 110 is shown.

FIG. 1c provides a side view of exemplary pixel 102 in a dynamic (touch) condition. In FIG. 1c, a conductive object 112 has been placed near pixel 102. As shown, the conductive object 112 can be a stylus. However, it should be understood that the conductive object 112 can also be a finger or anything else that is conductive. The conductive object 112 can be a low-impedance object at signal frequencies, and can have a capacitance C_{stylus} from the column trace 106 to the object. The conductive object 112 can have a self-capacitance to ground C_{body} that is much larger than C_{stylus} . If the conductive object 112 blocks some electric field lines 108 between the row and column electrodes (those fringing fields that exit the dielectric and pass through the air above the row electrode), those electric field lines can be shunted to ground through the capacitive path inherent in the conductive object, and as a result, the steady state signal or mutual capacitance C_{sig} can be reduced by ΔC_{sig} (which can also be referred to

herein as C_{sig_sense}). In other words, the capacitance of the conductive object can act as a shunt or dynamic return path to ground, blocking some of the electric fields and resulting in a reduced net signal capacitance.

When a conventional stylus is used as the conductive object, the tip of the stylus is typically designed to be large enough to disrupt the electric field lines. In fact, many conventional styluses designed to be used on a capacitive touch sensor panel have finger-sized tips. A stylus with a small tip may not block enough electric field lines to be detectable by a capacitive touch sensor panel.

When the conductive object acts as a shunt to ground and blocks some of the electric field lines, the signal capacitance at the pixel becomes $C_{sig} - \Delta C_{sig}$, where C_{sig} represents the static (no touch) component and ΔC_{sig} represents the dynamic (touch) component. This change in capacitance can be used to detect a touch at a particular location (e.g., pixel 102) of the touch sensor panel. Multiple touches can also be detected simultaneously on a touch sensor panel by determining whether there is a change in capacitance at each of the pixels of the touch sensor panel using the same method as discussed above.

There are several shortcomings of the conventional passive stylus discussed above. First, as mentioned above, the passive stylus needs to have a tip big enough to interrupt the electric field from the capacitive touch sensor panel. This would make it less ideal, if not impossible, to use a stylus with a small tip on existing capacitive touch sensor panels. Moreover, because the tip is relatively large on the passive stylus and may overlap with multiple touch pixels of the touch sensor panel, the exact location of a touch by the stylus may be difficult to ascertain. In addition, because the passive stylus works in the same way as a finger or any other touch object, a touch by a passive stylus may not be distinguishable from the a touch by a finger or another object of similar size and shape, thus making it more difficult for a touch sensor panel to filter out touches based on the identity of the touch object.

Embodiments of this disclosure introduce various active styluses that can be free of some or all of the shortcomings of conventional passive styluses and can provide improved stylus sensing in a mutual capacitive touch system. As mentioned above, an active stylus disclosed herein can act as a drive electrode, sense electrode, or both in a mutual capacitive touch system.

Embodiments in which the stylus can act as a drive electrode are first discussed. In these embodiments, the stylus can act as a driving element stimulated by a stimulation signal to capacitively couple with a proximate conductive row and/or column of a mutual capacitive touch sensor panel, thereby forming a capacitive path for coupling charge from the stylus to that proximate row and/or column. The proximate row and/or column can output signals representative of the charge coupling to sensing circuitry.

FIG. 2 illustrates an exemplary active stylus 200 configured as a drive electrode. The stylus 200 can house drive circuitry 204 connected to an electrode 202 at the distal end (i.e., tip) of the stylus. The drive circuitry 204 can generate a stimulus signal which can be actively transmitted from the electrode 202.

The drive circuitry 204 can be similar to those found in existing capacitive touch sensor panels. FIG. 3 illustrates exemplary drive circuitry 204 of the stylus 200 according to various embodiments. The stylus driving circuitry 204 can include clock 306 to provide a drive signal, microcontroller 308 to control the drive signal, and amplifier 310 to gain up the clock signal to the tip electrode 202. Additionally, the drive circuitry 204 can be connected to a power source 206,

5

such as a battery, built in the stylus. In another embodiment, power can be supplied from a power source in another electronic device, such as a touch sensing device, via a cable connecting the stylus and the device, or via inductive coupling.

In the embodiments where the stylus acts as a drive electrode (e.g., the stylus **200** of FIG. **2**), a capacitive touch sensor panel can detect charge coupled into sense lines on the panel by the stimulus from the stylus and determine the location of the stylus on its surface. Conventional mutual capacitive touch sensor panels typically have the sense electrodes either in columns (as shown in FIG. **1a**) or in rows, but not both. Those touch sensor panels can determine the location of a touch by identifying the drive row that was stimulated and the sense column that has detected a change in capacitance. However, in the embodiments disclosed herein, when the stimulus is received from an active stylus, both rows and columns on the capacitive touch sensor panel can be sense lines to determine the location of the stylus touch.

FIG. **4** illustrates an exemplary capacitive touch sensor panel **400** designed for interacting with an active stylus acting as a drive electrode. As illustrated, the capacitive touch sensor panel **400** can include both sense rows (**R0-R4**) and sense columns (**C1-C4**). Although five rows and four columns are illustrated in FIG. **4**, it should be understood that a different number of sense rows and sense columns can be built based on, for example, the size of the touch sensor panel and the desired touch resolution of the touch sensor panel. The sense rows and columns can be conductive. Each of the sense rows and columns can output its capacitance readings to one or more sensing circuits (collectively **402**) for further processing. The sense rows and columns can be formed on the same surface of a substrate, on opposite surfaces of a substrate, or on the surfaces of two different substrates.

FIG. **5** illustrates an exemplary coupling of the active stylus of FIG. **2** with the sense lines of the capacitive touch sensor panel of FIG. **4**. As illustrated, when the stylus tip is in contact with (or in close proximity to) the capacitive touch sensor panel **400**, the electrode **202** in the tip can be stimulated to actively generate electric field lines (collectively **404**) and form a capacitive coupling with the sense row **406** and/or column **408** of the capacitive touch sensor panel **400**. In other words, a capacitive path can be formed for coupling charge from the stylus **200** to the sense row **406** and column **408**. The sense row **406** and column **408** can output signals representative of the charge coupling to sensing circuitry (not shown in FIG. **5**). Based on the row(s) and column(s) from which the signals are received, the location of the stylus touch can be determined.

In some embodiments, the stylus **200** can include multiple electrodes which, when capacitively coupled to the touch sensor panel, allows the touch sensor panel to capture touch data reflecting conditions of the stylus such as its orientation and barrel roll. These embodiments are fully described in a co-pending U.S. Patent Application Publication No. 2012/0327042, filed on the same day as the instant application and assigned to the common assignee of the instant application. That co-pending application is incorporated by reference herein in its entirety for all purposes.

In some other embodiments, the stylus **200** can incorporate one or more additional components such as a pressure sensor, motion/orientation sensor, accelerometer, touch sensor, rotation sensor, camera, light emitter, color sensor, etc. Using one or more of the additional components, the stylus can capture information such as pressure sensed at its tip, orientation and rotation information, or the distance between the tip of the stylus and a surface. These embodiments are fully described

6

in another co-pending U.S. Patent Application Publication No. 2012/0331546, filed on the same day as the instant application and assigned to the common assignee of the instant application. That co-pending application is also incorporated by reference herein in its entirety for all purposes.

In yet other embodiments, the stylus **200** can generate a pulsed signal which can encode and transmit data such as telemetry data about the stylus and other types of data from the stylus to a touch sensing device. In one embodiment, the data can, for example, be encoded in Morse code. Essentially, the stylus can utilize a touch sensor panel as a communication channel to directly transmit data to the host touch sensing device. These embodiments are fully described in yet another co-pending U.S. Patent Application Publication No. 2012/0327040, also filed on the same day as the instant application and assigned to the common assignee of the instant application. That application is also incorporated by reference herein in its entirety for all purposes.

In some embodiments, the capacitive touch sensor panel can also include built-in drive lines. For example, the touch sensor panel of FIG. **4** can include drive lines either in columns or rows (not shown) as in a conventional mutual capacitive touch sensor panel. If the drive lines are in rows, they can capacitively couple with the column sense lines (**C1-C4**). If the drive lines are in columns, they can capacitively couple with the row sense lines (**R0-R4**). This allows the touch sensor panel to be able to detect touches by other touch objects such as fingers and conventional passive styluses. In fact, the touch sensor panel can retain all functionalities provided in existing mutual capacitive touch sensor panels.

In one embodiment, the drive electrodes in the touch sensor panel and the stylus can be frequency-multiplexed, i.e., stimulated at different frequencies. For example, the drive lines in the touch sensor panel can be driven at 100 kHz and the electrode in the stylus can be driven at 200 kHz. In another embodiment, the drive electrodes in the touch sensor panel and the stylus can be time-multiplexed, i.e., stimulated at different times. For example, in a touch sensor panel where a total of 16 ms is allocated for touch sensor panel sensing, 15 ms can be used for driving the drive lines in the touch sensor panel and the remaining one ms can be for driving the stylus. Using either frequency multiplexing or time multiplexing, a touch by the stylus can be differentiated from other touches on the touch sensor panel. A variety of other voltage patterns can also be used to distinguish stylus from touch signals, such as those used in RF communication.

In an existing capacitive touch sensor panel having both drive and sense lines, the output signal from a sense line can be mixed with a copy of the original drive signal by a mixer to generate a DC signal proportional to the capacitance of the coupling between the drive and sense line in response to a touch. To obtain a correct DC signal, the output signal from the sense line and the original signal should be in phase when they are processed by the mixer. This should not pose a difficult problem in existing touch sensor panels where the drive and sense lines are both in the panel and can be easily synchronized. If the drive electrode is in the stylus, as in the embodiments disclosed above, the synchronization of the drive signal and the output signal from the sense lines of the touch sensor panel can be achieved using different methods including those described in the following paragraphs.

In one embodiment, the stylus can be physically connected to the touch sensing device by a cable. The connection can be made using an existing port on the touch sensing device, such as an audio jack or a 30-pin jack. In a second embodiment, the stylus can be synchronized with the touch sensing device via wireless channels such as WiFi and Bluetooth. In both

embodiments the drive signal can be synchronized with the output signal via the physical channel or the wireless channel, respectively.

In a third embodiment, in-phase/quadrature (IQ) demodulation at the sensor can be performed to circumvent the synchronization issue in a touch sensitive system where the stylus can act as a drive electrode. FIG. 6 illustrates exemplary sense circuitry 610. The sense circuitry 610 can sense a capacitance from conductive elements of a touch sensor panel that are capacitively coupled to the stylus. The stylus sensing circuitry 610 can include amplifier 670 to receive the capacitance reading from the panel, clock 640 to generate a demodulation signal, phase shifter 645 to generate a phase-shifted demodulation signal, mixer 633 to demodulate the capacitance reading with an in-phase demodulation frequency component, and mixer 687 to demodulate the capacitance reading with a quadrature demodulation frequency component. The demodulated results (i.e., the in-phase component 643 and the quadrature component 697) can then be used to determine an amplitude proportional to the capacitance. Essentially, IQ demodulation can eliminate the need to phase-synchronize the drive signal from the stylus and the output signal from the touch sensor panel. However, frequency matching may still be required in this embodiment so that the stylus can be driving at the same frequency at which the touch sensor panel is listening.

In the above-disclosed embodiments, the stylus can act as a drive electrode in the touch sensing system. The following embodiments disclose touch sensing systems where the stylus can act as a sensing electrode. In particular, the stylus can act as a sensing element capacitively coupled with a proximate conductive row or column of a touch sensor panel that has been stimulated by a stimulation signal. The stylus can then output signals representative of the charge coupling to sensing circuitry.

FIG. 7 illustrates an exemplary active stylus 700 as a sense electrode. The stylus 700 can house sense circuitry 704 connected to an electrode 702 at the distal end of the stylus. The sense circuitry 704 can sense the capacitive coupling between the electrode 702 and the drive lines of a capacitive touch sensor panel.

The sense circuitry 704 can be similar to those found in existing capacitive touch sensor panels. FIG. 8 illustrates exemplary sense circuitry 704 of the stylus 700 according to various embodiments. The stylus sense circuitry 704 can include amplifier 802 to receive an input signal indicative of the capacitance reading from the electrode 702 and produce an output signal 804. Additionally, the sense circuitry 704 can be connected to a power source 706, such as a battery, built in the stylus. In another embodiment, power can be supplied from a power source in another electronic device, such as a touch sensing device, via a cable connecting the stylus to the device, or via inductive coupling. In another embodiment, the stylus can include the sense circuitry 610 illustrated in FIG. 6. In yet another embodiment, the stylus can include multiple sense electrodes connected to one or more sense circuits.

The stylus acting as a sense electrode (e.g., the stylus 700 of FIG. 7) can generally work in the opposite way that a stylus acting as a drive electrode (e.g., the stylus 200 of FIG. 2) works. In particular, a capacitive touch sensor panel can receive and emanate stimulus signals which can induce a charge coupling onto the stylus that is detectable by the stylus when the stylus is in contact with (or hovering above) the touch sensor panel.

FIG. 9 illustrates an exemplary capacitive touch sensor panel 900 designed for interacting with a stylus acting as a sense electrode. As illustrated, the capacitive touch sensor

panel 900 can include both drive rows (R0-R4) and drive columns (C0-C3). Although five rows and four columns are illustrated in FIG. 9, it should be understood that different number of drive rows and drive columns can be built based on, for example, the size of the touch sensor panel and the desired touch resolution of the touch sensor panel. The drive rows and columns can be similar to the drive lines found in existing capacitive touch sensor panels. The drive rows and columns can be conductive. Each of the drive rows and columns can capacitively couple with the electrode in the stylus. The drive rows and columns can be formed on the same surface of a substrate, on the opposite surfaces of a substrate, or on the surfaces of two different substrates. In some embodiments, the touch sensor panel 900 can also include sense columns or rows as an existing capacitive touch sensor panel so as to allow the touch sensor panel to detect other objects and retain other functionalities of an existing capacitive touch sensor panel.

FIG. 10 illustrates an exemplary coupling of the active stylus of FIG. 7 and the capacitive touch sensor panel of FIG. 9. As illustrated, when the stylus tip is in contact with (or in close proximity to) the capacitive touch sensor panel 900, capacitive coupling, as indicated by the electric field lines (collectively 1004), can be formed between a stimulated drive column 1008 and the electrode 702 in the tip. Additionally and alternatively, capacitive coupling, as indicated by other electric field lines (collectively 1005), can be formed between a stimulated drive row 1009 and the electrode 702. In some embodiments, the stimulus signal from each drive row and column can be coded differently. This can allow the sense circuitry 704 in the stylus to identify the drive row or column with which the electrode 702 in the stylus has capacitively coupled. Based on the identified row(s) and column(s), the location of the stylus touch can be determined.

The touch data captured by the sense circuitry 704 can be processed by a processor in the stylus and/or transmitted back to the touch sensor panel for further processing. In some embodiments, the information can be sent via a cable connecting the stylus to the touch sensor panel or a wireless channel such as WiFi and BlueTooth. In other embodiments, the information can be encoded in a pulse signal transmitted from the stylus to the touch sensor panel, as disclosed in the previously-mentioned co-pending application U.S. Patent Application Publication No. 2012/0327040 which is incorporated by reference herein in its entirety for all purposes. These communication embodiments can be collectively represented in FIG. 7 as communications block 708.

In other embodiments, the styluses acting as a sense electrode in a touch sensing system can incorporate one or more features disclosed in the other previously-mentioned co-pending U.S. Patent Application Publication Nos. 2012/0331546 and 2012/0327042, which are also incorporated by reference herein in their entirety for all purposes.

In other embodiments, the styluses acting as a sense electrode in a touch sensing system can incorporate one or more features disclosed in the other previously-mentioned co-pending U.S. Patent Application Publication Nos. 2012/0331546 and 2012/0327042, which are also incorporated by reference herein in their entirety for all purposes.

In one embodiment, an active stylus can house both driving and sensing circuitry and can include a switching mechanism coupled between the two circuits for switching between driving and sensing according to the requirements of the system in which the stylus is used. In another embodiment, the touch sensor panel can drive a first axis (either column or row) and the stylus can listen on that first axis. At the same time, the stylus can drive a second axis and the touch sensor panel can

listen on that second axis. The touch data captured by the touch sensor panel and the stylus can be combined to determine touch locations and other touch-related data.

The active styluses disclosed in the embodiments above can significantly improve stylus-sensing in a touch sensing system. Because these styluses can include electrodes that are designed to actively capacitive couple with the drive and/or sense lines of a touch sensor panel instead of blocking electric field lines on the touch sensor panel, they can have smaller tips, which can make touch sensing more precise. In addition, on touch sensor panels capable of determining the area of each touch detected on its surface, the active styluses can be distinguished from other touch objects based on their smaller touch area.

Additionally, if the tip of the styluses is small, software compensation can correct “wobbles” in the touch path. These “wobbles” can be created when the touch path passes through spots on the touch sensor panel not directly over or in close proximity to any sense line. Because of the weak capacitive coupling at those spots, the touch locations captured by the touch sensor panel can be inaccurate. Existing finger-operated touch sensor panel may use software algorithms to correct those “wobbles” in a touch path. However, because different user can have fingers of different sizes, a universal compensation algorithm may not work well with touches from different fingers. In comparison, the active styluses from the embodiments disclosed above can have a known point source. Thus, a software compensation algorithm can be optimized to work with touches by the stylus to better reduce the “wobbles” in a touch path.

Although some embodiments are described herein in terms of a stylus, it is to be understood that other input devices and/or pointing devices can be used according to various embodiments.

Although some embodiments are described herein in terms of a touch sensor panel, it is to be understood that other touch sensitive devices capable of sensing an object touching or hovering over the devices can be used according to various embodiments.

FIG. 11 illustrates an exemplary computing system that can use a stylus according to various embodiments. In the example of FIG. 11, computing system 1600 can include touch controller 1606. The touch controller 1606 can be a single application specific integrated circuit (ASIC) that can include one or more processor subsystems 1602, which can include one or more main processors, such as ARM968 processors or other processors with similar functionality and capabilities. However, in other embodiments, the processor functionality can be implemented instead by dedicated logic, such as a state machine. The processor subsystems 1602 can also include peripherals (not shown) such as random access memory (RAM) or other types of memory or storage, watchdog timers and the like. The touch controller 1606 can also include receive section 1607 for receiving signals, such as touch (or sense) signals 1603 of one or more sense channels (not shown), other signals from other sensors such as sensor 1611, etc. The touch controller 1606 can also include demodulation section 1609 such as a multistage vector demodulation engine, panel scan logic 1610, and transmit section 1614 for transmitting stimulation signals 1616 to touch sensor panel 1624 to drive the panel. The scan logic 1610 can access RAM 1612, autonomously read data from the sense channels, and provide control for the sense channels. In addition, the scan logic 1610 can control the transmit section 1614 to generate the stimulation signals 1616 at various frequencies and phases that can be selectively applied to rows of the touch sensor panel 1624.

The touch controller 1606 can also include charge pump 1615, which can be used to generate the supply voltage for the transmit section 1614. The stimulation signals 1616 can have amplitudes higher than the maximum voltage by cascading two charge store devices, e.g., capacitors, together to form the charge pump 1615. Therefore, the stimulus voltage can be higher (e.g., 6V) than the voltage level a single capacitor can handle (e.g., 3.6V). Although FIG. 11 shows the charge pump 1615 separate from the transmit section 1614, the charge pump can be part of the transmit section.

Computing system 1600 can include host processor 1628 for receiving outputs from the processor subsystems 1602 and performing actions based on the outputs that can include, but are not limited to, moving an object such as a cursor or pointer, scrolling or panning, adjusting control settings, opening a file or document, viewing a menu, making a selection, executing instructions, operating a peripheral device coupled to the host device, answering a telephone call, placing a telephone call, terminating a telephone call, changing the volume or audio settings, storing information related to telephone communications such as addresses, frequently dialed numbers, received calls, missed calls, logging onto a computer or a computer network, permitting authorized individuals access to restricted areas of the computer or computer network, loading a user profile associated with a user's preferred arrangement of the computer desktop, permitting access to web content, launching a particular program, encrypting or decoding a message, and/or the like. The host processor 1628 can also perform additional functions that may not be related to touch processing, and can be connected to program storage 1632 and display device 1630 such as an LCD for providing a UI to a user of the device. Display device 1630 together with touch sensor panel 1624, when located partially or entirely under the touch sensor panel, can form a touch screen.

Touch sensor panel 1624 can include a capacitive sensing medium having drive lines and sense lines. It should be noted that the term “lines” can sometimes be used herein to mean simply conductive pathways, as one skilled in the art can readily understand, and is not limited to structures that can be strictly linear, but can include pathways that change direction, and can include pathways of different size, shape, materials, etc. Drive lines can be driven by stimulation signals 1616 and resulting touch signals 1603 generated in sense lines can be transmitted to receive section 1607 in touch controller 1606. In this way, drive lines and sense lines can be part of the touch and hover sensing circuitry that can interact to form capacitive sensing nodes, which can be thought of as touch picture elements (touch pixels), such as touch pixels 1626. This way of understanding can be particularly useful when touch sensor panel 1624 can be viewed as capturing an “image” of touch. In other words, after touch controller 1606 has determined whether a touch or hover has been detected at each touch pixel in the touch sensor panel, the pattern of touch pixels in the touch sensor panel at which a touch or hover occurred can be thought of as an “image” of touch (e.g. a pattern of fingers touching or hovering over the touch sensor panel).

A stylus according to various embodiments can be used to contact the touch sensor panel 1624. The stylus orientation can provide additional information to the computing system 1600 for improved performance.

Note that one or more of the functions described above, can be performed, for example, by firmware stored in memory (e.g., one of the peripherals) and executed by the processor subsystem 1602, or stored in program storage 1632 and executed by the host processor 1628. The firmware can also

11

be stored and/or transported within any non-transitory computer readable storage medium for use by or in connection with an instruction execution system, apparatus, or device, such as a computer-based system, processor-containing system, or other system that can fetch the instructions from the instruction execution system, apparatus, or device and execute the instructions. In the context of this document, a “non-transitory computer readable storage medium” can be any medium that can contain or store the program for use by or in connection with the instruction execution system, apparatus, or device. The non-transitory computer readable storage medium can include, but is not limited to, an electronic, magnetic, optical, electromagnetic, infrared, or semiconductor system, apparatus or device, a portable computer diskette (magnetic), a random access memory (RAM) (magnetic), a read-only memory (ROM) (magnetic), an erasable programmable read-only memory (EPROM) (magnetic), a portable optical disc such a CD, CD-R, CD-RW, DVD, DVD-R, or DVD-RW, or flash memory such as compact flash cards, secured digital cards, USB memory devices, memory sticks, and the like.

The firmware can also be propagated within any transport medium for use by or in connection with an instruction execution system, apparatus, or device, such as a computer-based system, processor-containing system, or other system that can fetch the instructions from the instruction execution system, apparatus, or device and execute the instructions. In the context of this document, a “transport medium” can be any medium that can communicate, propagate or transport the program for use by or in connection with the instruction execution system, apparatus, or device. The transport readable medium can include, but is not limited to, an electronic, magnetic, optical, electromagnetic or infrared wired or wireless propagation medium.

It is to be understood that the touch sensor panel, as described in FIG. 11, can sense touch and hover according to various embodiments. In addition, the touch sensor panel described herein can be either single- or multi-touch.

FIG. 12 illustrates an exemplary mobile telephone 1730 that can include touch sensor panel 1724, display device 1736, and other computing system blocks for use with a stylus according to various embodiments.

FIG. 13 illustrates an exemplary digital media player 1830 that can include touch sensor panel 1824, display device 1836, and other computing system blocks for use with a stylus according to various embodiments.

FIG. 14 illustrates an exemplary personal computer 1930 that can include touch pad 1924, display 1936, and other computing system blocks for use with a stylus according to various embodiments.

The mobile telephone, media player, and personal computer of FIGS. 12 through 14 can improve touch and hover sensing and preserve power by utilizing a stylus according to various embodiments.

Although embodiments have been fully described with reference to the accompanying drawings, it is to be noted that various changes and modifications will become apparent to those skilled in the art. Such changes and modifications are to be understood as being included within the scope of the various embodiments as defined by the appended claims.

What is claimed is:

1. Capacitive sensor circuitry, comprising: one or more sense channels coupled to a plurality of sense lines, the one or more sense channels configured for detecting a change in capacitance between an active stylus generating a stimulation signal and the one or more sense lines to determine a location of the active stylus proximate to the one or more sense lines;

12

wherein the one or more sense channels comprise:

- a sense amplifier to adjust a detected change in capacitive coupling;
- a clock to generate a demodulation signal;
- a phase shifter to shift a phase of the demodulation signal; and
- a set of mixers to receive the detected change in capacitive coupling and either the demodulation signal or the phase-shifted demodulation signal to demodulate the sensed voltage.

2. The capacitive sensor circuitry of claim 1, the sensor circuitry capable of identifying the presence of the stylus based on the stimulation frequency of the active stylus.

3. The capacitive sensor circuitry of claim 1, wherein the one or more sense channels comprise at least one row channel and at least one column channel.

4. The capacitive sensor circuitry of claim 1, wherein the mixer receiving the demodulation signal produces an in-phase component;

wherein the mixer receiving the phase-shifted demodulation signal produces a quadrature component; and

wherein the in-phase component and the quadrature component are combined to determine an amplitude proportional to a capacitance formed by the active stylus and the sense channel.

5. The capacitive sensor circuitry of claim 1, wherein the capacitive sensor circuitry is in communication with the stylus via one of a physical cable and a wireless channel.

6. The capacitive sensor circuitry of claim 5, wherein the stimulation signal of the active stylus can be synchronized with the output signal of the one or more sense lines.

7. The capacitive sensor circuitry of claim 5, wherein the wireless channel is a WiFi or Bluetooth channel.

8. The capacitive sensor circuitry of claim 5, wherein the output signal from a sense line is mixed with a copy of the stimulation signal generated by the active stylus in only one mixer to generate a DC signal proportional to a capacitive coupling between the stimulation signal and the sense line.

9. The capacitive sensor circuitry of claim 1, further comprising at least one drive line configured to generate a signal that can be sensed by at least one of the sense channels.

10. The capacitive sensor circuitry of claim 9, wherein the at least one drive line is capable of generating a signal with a frequency different than the stimulation signal of the active stylus.

11. The capacitive sensor circuitry of claim 9, wherein the at least one drive line is capable of generating a signal when the capacitive sensor circuitry is not detecting the change in capacitance between the active stylus and the one or more sense lines.

12. The capacitive sensor circuitry of claim 9, wherein the at least one of the sense channels is configured to mix a copy of the signal generated by the drive line with the output signal from at least one sense line to generate a DC signal proportional to a capacitive coupling between the at least one drive line and the at least one sense line.

13. The capacitive sensor circuitry of claim 1, wherein the clock is capable of generating a demodulation signal with a frequency matching the stimulation signal of the active stylus.

14. The capacitive sensor circuitry of claim 1, wherein the one or more sense channels comprise a plurality of row channels and a plurality of column channels and the location of the active stylus can be determined based on output signals from the plurality of row channels and the plurality of column channels representative of a charge coupling between the

13

active stylus and the one or more sense lines corresponding to the plurality of row channels and the plurality of column channels.

- 15. An active stylus, comprising:
 - an electrode at a tip of the stylus;
 - powered circuitry coupled to the electrode and configured for capacitively coupling the electrode with a capacitive sensor panel,
 - wherein the powered circuitry comprises sense circuitry configured to sense a voltage received at the electrode, the sense circuitry further comprising:
 - an amplifier to adjust the sensed voltage;
 - a clock to generate a demodulation signal;
 - a phase shifter to shift the phase of the demodulation signal; and
 - a set of mixers to receive the sensed voltage and either the demodulation signal or the phase-shifted demodulation signal to demodulate the sensed voltage.

16. The active stylus of claim 15, wherein the mixer receiving the demodulation signal produces an in-phase component;

14

wherein the mixer receiving the phase-shifted demodulation signal produces a quadrature component; and wherein the in-phase component and the quadrature component are combined to determine an amplitude proportional to a capacitance formed by the electrode.

17. The active stylus of claim 16, wherein the electrode is stimulated with a pattern that identifies a presence of the stylus.

18. The active stylus of claim 15, the active stylus incorporated into a touch-based input system, the system comprising:

one or more drive channels coupled to the plurality of drive lines, wherein an identity of a drive line being stimulated by a drive channel is used to determine a location by the active stylus proximate to the sensor panel.

19. The active stylus of claim 18, wherein the capacitive sensor panel is in communication with the stylus via one of a physical cable and a wireless channel.

20. The active stylus of claim 18, wherein a signal from each of the drive channels can be distinguished by a unique code.

* * * * *