



(12) **United States Design Patent**
Akana et al.

(10) **Patent No.:** **US D727,197 S**
(45) **Date of Patent:** **** Apr. 21, 2015**

(54) **BAND**

(71) Applicant: **Apple Inc.**, Cupertino, CA (US)
(72) Inventors: **Jody Akana**, San Francisco, CA (US);
Bartley K. Andre, Palo Alto, CA (US);
Shota Aoyagi, San Francisco, CA (US);
Anthony Michael Ashcroft, San Francisco, CA (US); **Jeremy Bataillou**, San Francisco, CA (US); **Daniel J. Coster**, San Francisco, CA (US); **Daniele De Iuliis**, San Francisco, CA (US); **M. Evans Hankey**, San Francisco, CA (US); **Julian Hoenig**, San Francisco, CA (US); **Richard P. Howarth**, San Francisco, CA (US); **Jonathan P. Ive**, San Francisco, CA (US); **Duncan Robert Kerr**, San Francisco, CA (US); **Marc A. Newson**, London (GB); **Matthew Dean Rohrbach**, San Francisco, CA (US); **Peter Russell-Clarke**, San Francisco, CA (US); **Benjamin Andrew Shaffer**, San Jose, CA (US); **Mikael Silvano**, San Francisco, CA (US); **Christopher J. Stringer**, Woodside, CA (US); **Eugene Antony Whang**, San Francisco, CA (US); **Rico Zörkendörfer**, San Francisco, CA (US)

(73) Assignee: **Apple Inc.**, Cupertino, CA (US)

(**) Term: **14 Years**

(21) Appl. No.: **29/498,990**

(22) Filed: **Aug. 11, 2014**

(51) **LOC (10) Cl.** **11-01**

(52) **U.S. Cl.**
USPC **D11/3**

(58) **Field of Classification Search**
USPC D11/1-25, 94; D10/30-39, 70, 46;
24/456, 574.1, 587.11, 587.12, 578.15;
600/301; 224/164, 175; 368/276, 281,
368/282, 285

See application file for complete search history.

(56) **References Cited**

U.S. PATENT DOCUMENTS

1,165,262 A 12/1915 Jolly
D141,753 S * 7/1945 Du Bois D11/3
(Continued)

FOREIGN PATENT DOCUMENTS

CN 2052214 U 2/1990
CN 2353201 Y 12/1999
(Continued)

OTHER PUBLICATIONS

[Online] <http://www.imedicalapps.com/wp-content/uploads/2014/09/watch-dm.jpg>. Retrieved Feb. 4, 2015.*
(Continued)

Primary Examiner — Garth Rademaker
Assistant Examiner — Melanie Pellegrini
(74) *Attorney, Agent, or Firm* — Sterne, Kessler, Goldstein & Fox P.L.L.C.

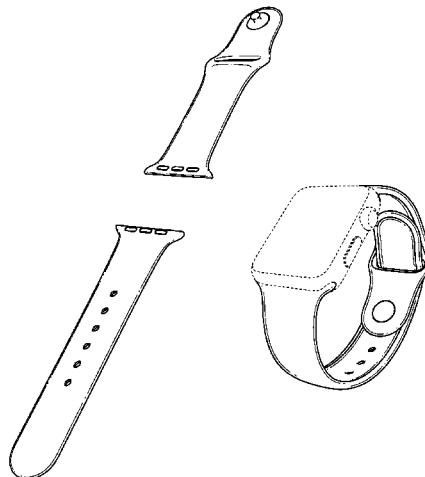
(57) **CLAIM**

The ornamental design for a band, as shown and described.

DESCRIPTION

FIG. 1 is a bottom front perspective view of a band showing our new design;
FIG. 2 is a bottom rear perspective view thereof;
FIG. 3 is a front view thereof;
FIG. 4 is a rear view thereof;
FIG. 5 is a left side view thereof;
FIG. 6 is a right side view thereof;
FIG. 7 is a top view thereof;
FIG. 8 is a bottom view thereof; and,
FIG. 9 is a perspective view thereof showing the band in an environment in which it may be used.
The broken lines in FIG. 9 show environment that forms no part of the claimed design.

1 Claim, 6 Drawing Sheets



(56)

References Cited

U.S. PATENT DOCUMENTS

3,030,686	A	4/1962	Burkhardt	
3,233,801	A	2/1966	Schulenberg	
3,665,565	A	5/1972	Kruger	
3,675,284	A	7/1972	Rieth	
3,983,483	A *	9/1976	Pando	455/90.2
D349,864	S	8/1994	Dunlap et al.	
5,363,351	A	11/1994	Carney	
D417,236	S	11/1999	Burrus	
D473,818	S	4/2003	Salvisberg	
D494,098	S	8/2004	Cohen	
D517,441	S	3/2006	Heatherly et al.	
D535,205	S	1/2007	Frederick et al.	
D559,723	S *	1/2008	Kraus et al.	D11/3
D581,826	S *	12/2008	Molyneux	D11/2
D656,856	S	4/2012	Kleinberg	
8,205,370	B2	6/2012	Padgett et al.	
8,601,784	B2	12/2013	Kaltenrieder	
D709,874	S *	7/2014	Aumiller et al.	D14/344
D709,875	S *	7/2014	Aumiller et al.	D14/344
D711,872	S	8/2014	Aumiller et al.	
D711,873	S	8/2014	Aumiller et al.	
D715,668	S *	10/2014	Roush et al.	D10/98
D718,170	S *	11/2014	Aumiller et al.	D11/3
D720,248	S *	12/2014	Law	D11/3
2014/0096345	A1	4/2014	Tschumi	
2014/0098649	A1	4/2014	Tschumi	

FOREIGN PATENT DOCUMENTS

CN	203859742	U	10/2014
EP	2636328	A1	9/2013
GB	618917	A	3/1949
GB	2082277		5/1984
GB	1059756		5/1989
JP	H02310580	A	12/1990
JP	2005171013	A	6/2005
JP	2006288484	A	10/2006
WO	D049177-024		11/1999
WO	D052261-005		8/2000
WO	D057659-011		11/2001
WO	D057659-012		11/2001
WO	2013182397	A1	12/2013

OTHER PUBLICATIONS

[Online] <http://blogs-images.forbes.com/robertpearl/files/2014/10/Apple-Watch-health-fitness-white-blue-1940x1231.jpg>. Retrieved Feb. 4, 2015.*

[online] <http://www.ablogtowatch.com/10-interesting-facts-marc-newson-watch-design-work-ikepod/>. Retrieved Mar. 17, 2015. Posted online Sep. 9, 2014.*

[online] http://jewelrynewsnetwork.blogspot.com/2014_01_01_archive.html. Retrieved Mar. 17, 2015. Posted online Jan. 30, 2014.* Ikepod, "Original Ikepod Watch With GMT—Marc Newson Design," Watchbox.be, <<http://www.watchbox.be/prod/Others-Watches/Marc%20Newson%20Design/item7165.htm#>>, accessed Dec. 17, 2014.

LG Life's Good, "LG G Watch (W100)," <<http://www.lg.com/us/smart-watches/lg-w100-g-watch>>, accessed Dec. 18, 2014.

Omate, "The TrueSmart™ is the world's first standalone smartwatch 2.0 running on top of Android and OUI 2.0," <<http://www.omate.com/product.html>>, accessed Dec. 15, 2014.

Samsung, "Galaxy Gear™ Live, Black SM-R3820ZKAXAR," <<http://www.samsung.com/us/mobile/wearable-tech/SM-R3820ZKAXAR>>, accessed Dec. 15, 2014.

Samsung, "Samsung Gear S™, (Sprint), Black SM-R750PZKASPR," <<http://www.samsung.com/us/mobile/wearable-tech/SM-R750PZKASPR>>, accessed Dec. 15, 2014.

Sony, "SmartWatch 3 SWR50," <<http://www.sonymobile.com/us/products/smartwear/smartwatch-3-swr50/>>, accessed Dec. 15, 2014.

Sony, "SmartWatch," <<http://www.sonymobile.com/us/products/accessories/smartwatch/>>, accessed Dec. 15, 2014.

Stables, James, "Clevercare smartwatch aims to help Alzheimer's suffers and carers: Revamped Sony SmartWatch 2 designed for users that need care," Wearable News, <<http://www.wearable.com/wearable-tech/clevercare-smartwatch-aims-to-help-alzheimers-suffers-and-carers-585>>, dated Dec. 15, 2014.

Etsy.com, "1 Set Silver End Cap Clasp—Findings Large Toggle Clasp End Caps Buckle Connector with Five Inside Loops for Jewelry Making 26mm," <<http://www.etsy.com/listing/101269004/1-set-silver-end-cap-clasp-findings?ref=market>>, Listed on Aug. 29, 2014, accessed Oct. 9, 2014.

Calar Zhao, "SW102 bluetooth bracelet watch smart healthy Silicone Wristband sports watch Time Display/Caller ID/Alarm/Pedometer + Freeship," <<http://www.aliexpress.com/item/SW102-bluetooth-bracelet-watch-smart-healthy-Silicone-Wristband-sports-watch-Time-Display-Caller-ID-Alarm-Pedometer/2039225352.html>>, accessed Nov. 26, 2014.

"Brand New Ikepod Grey or Orange Rubber Strap, Hemipode, Marc Newson Design," accessed at <http://www.ebay.com/itm/BRAND-NEW-IKEPOD-GREY-OR-ORANGE-RUBBER-STRAP-HEMIPODE-MARC-NEWSON-DESIGN-/291133335907>, last updated Nov. 30, 2014, 3 pages.

* cited by examiner

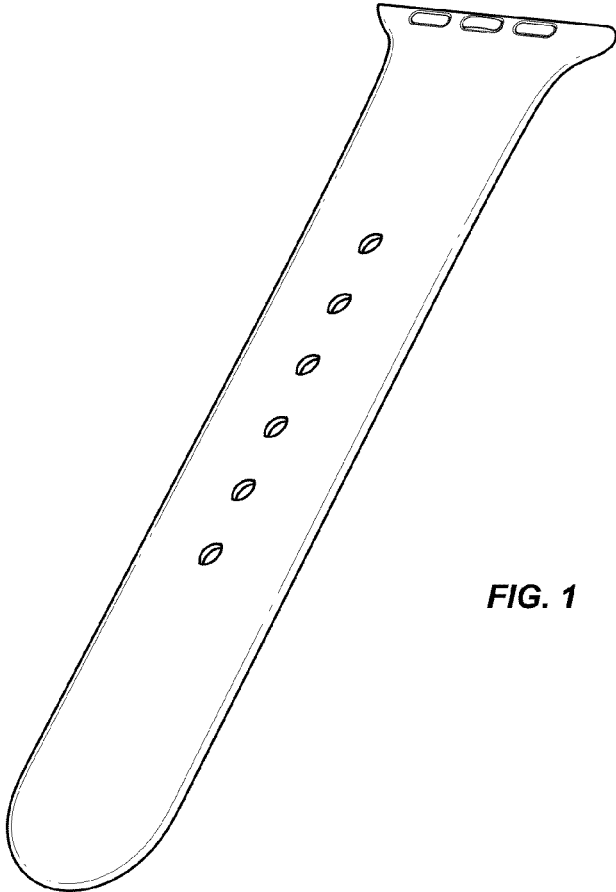
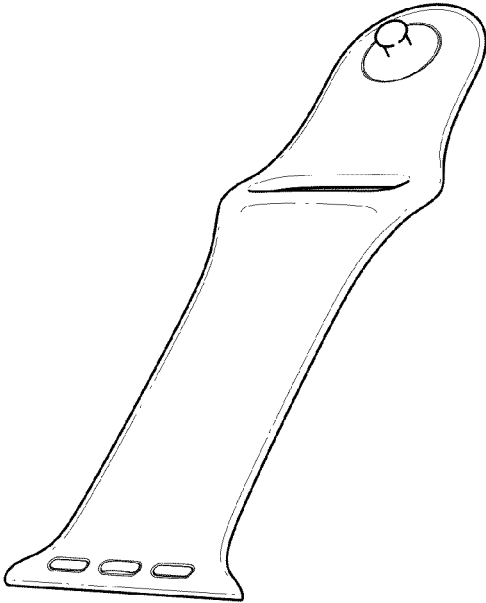


FIG. 1

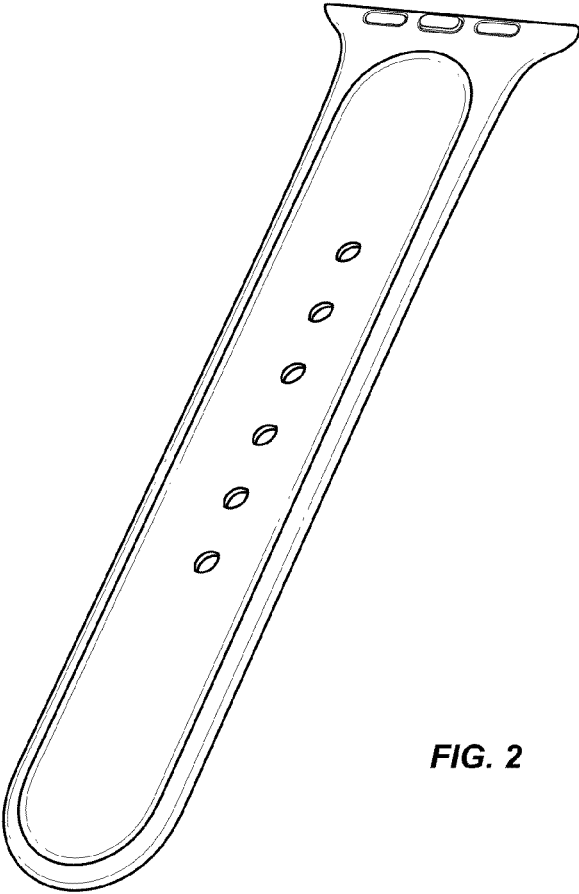
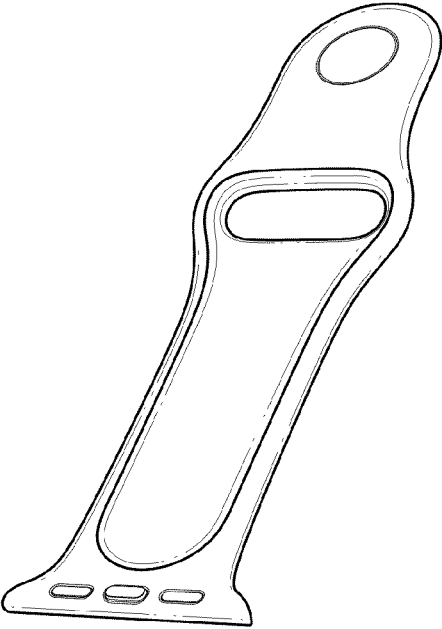


FIG. 2

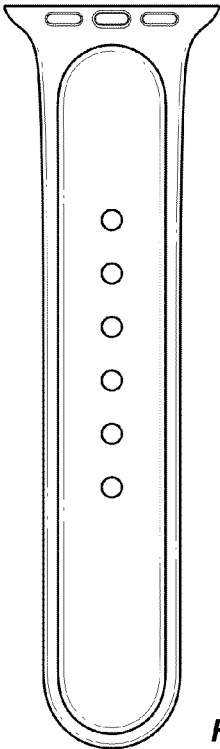
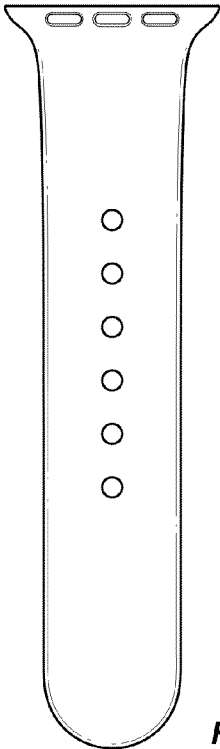
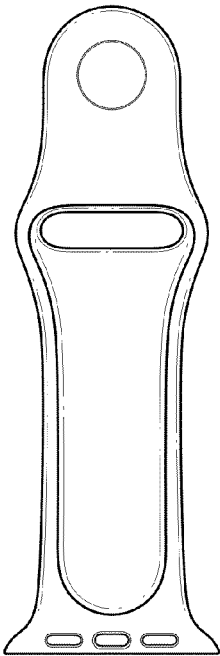
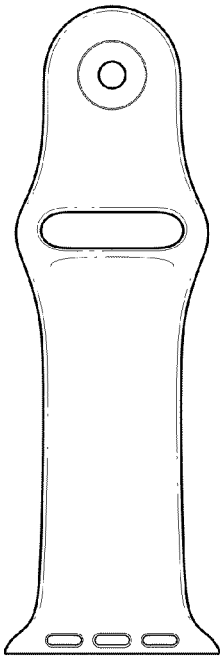


FIG. 3

FIG. 4

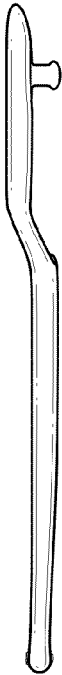


FIG. 5



FIG. 6





FIG. 7



FIG. 8

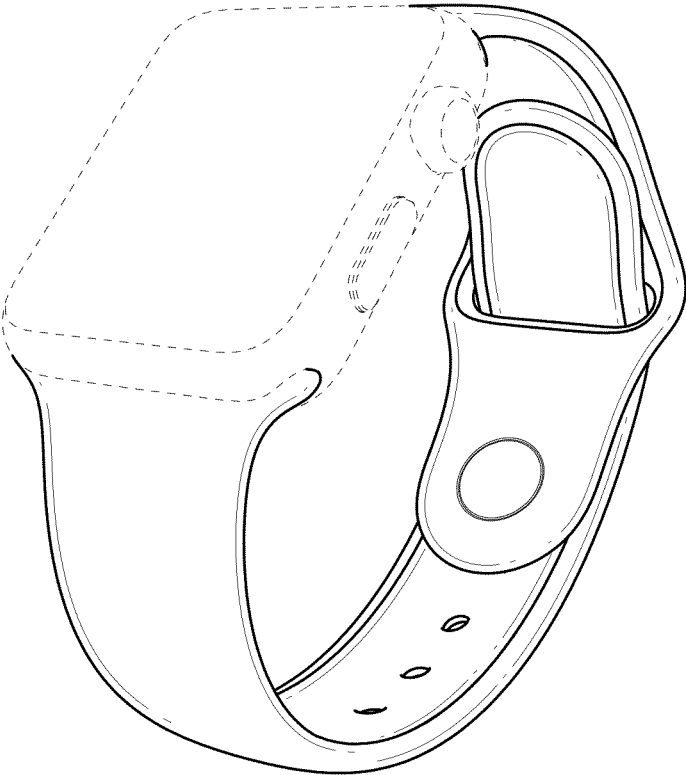


FIG. 9