



US00D727787S

(12) **United States Design Patent**  
**Akana et al.**

(10) **Patent No.:** **US D727,787 S**

(45) **Date of Patent:** **\*\* Apr. 28, 2015**

(54) **BAND ATTACHMENT**

(71) Applicant: **Apple Inc.**, Cupertino, CA (US)

(72) Inventors: **Jody Akana**, San Francisco, CA (US);  
**Bartley K. Andre**, Palo Alto, CA (US);  
**Shota Aoyagi**, San Francisco, CA (US);  
**Anthony Michael Ashcroft**, San Francisco, CA (US);  
**Jeremy Bataillou**, San Francisco, CA (US);  
**Daniel J. Coster**, San Francisco, CA (US);  
**Daniele De Iuliis**, San Francisco, CA (US);  
**M. Evans Hankey**, San Francisco, CA (US);  
**Julian Hoenig**, San Francisco, CA (US);  
**Richard P. Howarth**, San Francisco, CA (US);  
**Jonathan P. Ive**, San Francisco, CA (US);  
**Duncan Robert Kerr**, San Francisco, CA (US);  
**Marc A. Newson**, London (GB);  
**Matthew Dean Rohrbach**, San Francisco, CA (US);  
**Peter Russell-Clarke**, San Francisco, CA (US);  
**Benjamin Andrew Shaffer**, San Jose, CA (US);  
**Mikael Silvanto**, San Francisco, CA (US);  
**Christopher J. Stringer**, Woodside, CA (US);  
**Eugene Antony Whang**, San Francisco, CA (US);  
**Rico Zörkendörfer**, San Francisco, CA (US)

(73) Assignee: **Apple Inc.**, Cupertino, CA (US)

(\*\*) Term: **14 Years**

(21) Appl. No.: **29/501,763**

(22) Filed: **Sep. 8, 2014**

**Related U.S. Application Data**

(63) Continuation of application No. 29/498,987, filed on Aug. 11, 2014.

(51) **LOC (10) Cl.** ..... **11-01**

(52) **U.S. Cl.**  
USPC ..... **D11/94**

(58) **Field of Classification Search**

CPC ..... A44C 5/107; A44C 5/02; A44C 5/022;  
A44C 5/025; A44C 5/027; A44C 5/04;  
A44C 5/06; A44C 5/08; A44C 5/10; A44C  
5/102; A44C 5/105; A44C 11/00; A44C  
11/002; A44C 11/005; A44C 11/007; A44C  
13/00

USPC ..... D11/1–25, 32, 93, 94; 59/78, 79.2;  
63/1.11, 3, 3.1, 3.2, 5.1, 5.2, 7–11;  
224/175; D10/30–32

See application file for complete search history.

(56) **References Cited**

**U.S. PATENT DOCUMENTS**

3,030,686 A \* 4/1962 Burkhardt ..... 24/265 B  
3,665,565 A \* 5/1972 Kruger ..... 24/265 WS  
3,675,284 A \* 7/1972 Rieth ..... 24/265 B  
5,363,351 A 11/1994 Carney  
D473,818 S \* 4/2003 Salvisberg ..... D11/93  
D494,098 S \* 8/2004 Cohen ..... D11/235  
8,601,784 B2 \* 12/2013 Kaltenrieder ..... 59/78  
2014/0096345 A1 4/2014 Tschumi  
2014/0098649 A1 4/2014 Tschumi

**FOREIGN PATENT DOCUMENTS**

EP 2636328 A1 9/2013  
GB 618917 A 3/1949  
GB 2082277 5/1984  
WO 2013182397 A1 12/2013

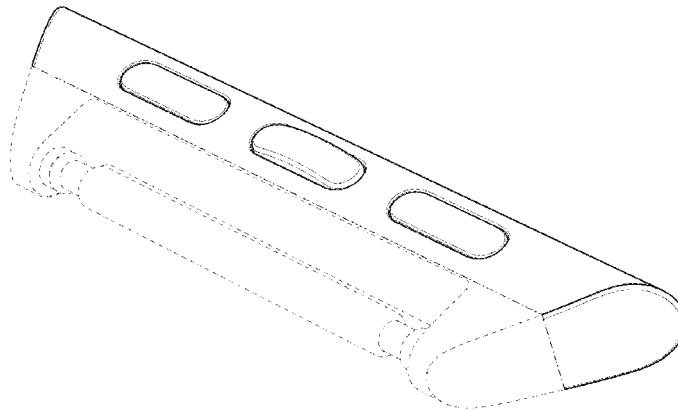
**OTHER PUBLICATIONS**

etsy.com, “1 Set Silver End Cap Clasp—Findings Large Toggle Clasp End Caps Buckle Connector with Five Inside Loops for Jewelry Making 26mm,” <<http://www.etsy.com/listing/101269004/1-set-silver-end-cap-clasp-findings?ref=market>>, Listed on Aug. 29, 2014, accessed Oct. 9, 2014.

\* cited by examiner

*Primary Examiner* — Zenia Bennett

(74) *Attorney, Agent, or Firm* — Sterne, Kessler, Goldstein & Fox P.L.L.C.



(57)

**CLAIM**

The ornamental design for a band attachment, as shown and described.

**DESCRIPTION**

FIG. 1 is a bottom front perspective view of a band attachment showing our new design;  
FIG. 2 is a bottom rear perspective view thereof;  
FIG. 3 is a front view thereof;

FIG. 4 is a rear view thereof;  
FIG. 5 is a left side view thereof;  
FIG. 6 is a right side view thereof;  
FIG. 7 is a top view thereof; and,  
FIG. 8 is a bottom view thereof.

The dashed broken lines in the Figures show portions of the band attachment that form no part of the claimed design. The dot-dash broken lines in the Figures show boundaries that form no part of the claimed design.

**1 Claim, 4 Drawing Sheets**

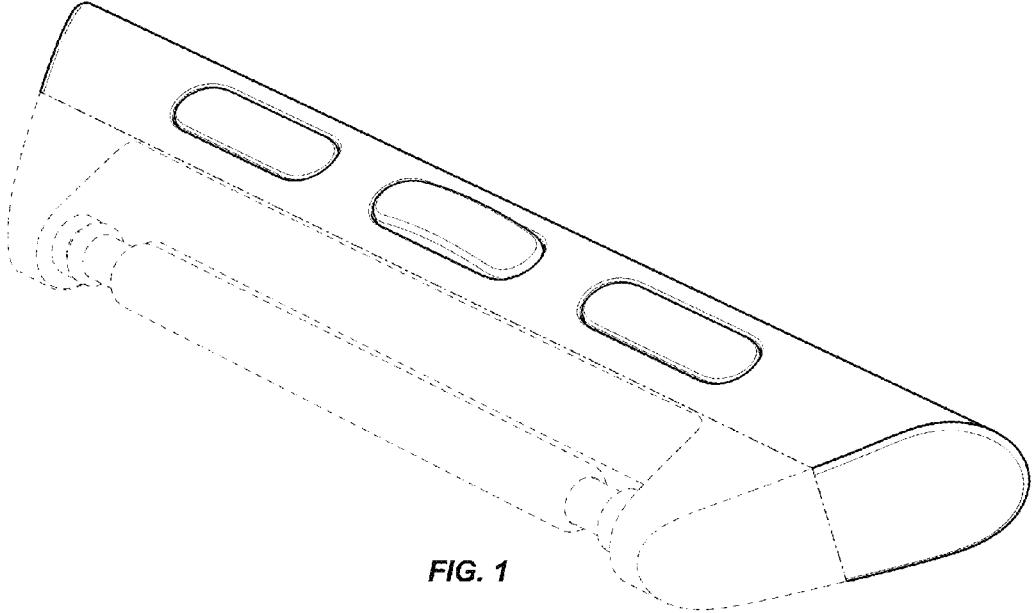


FIG. 1

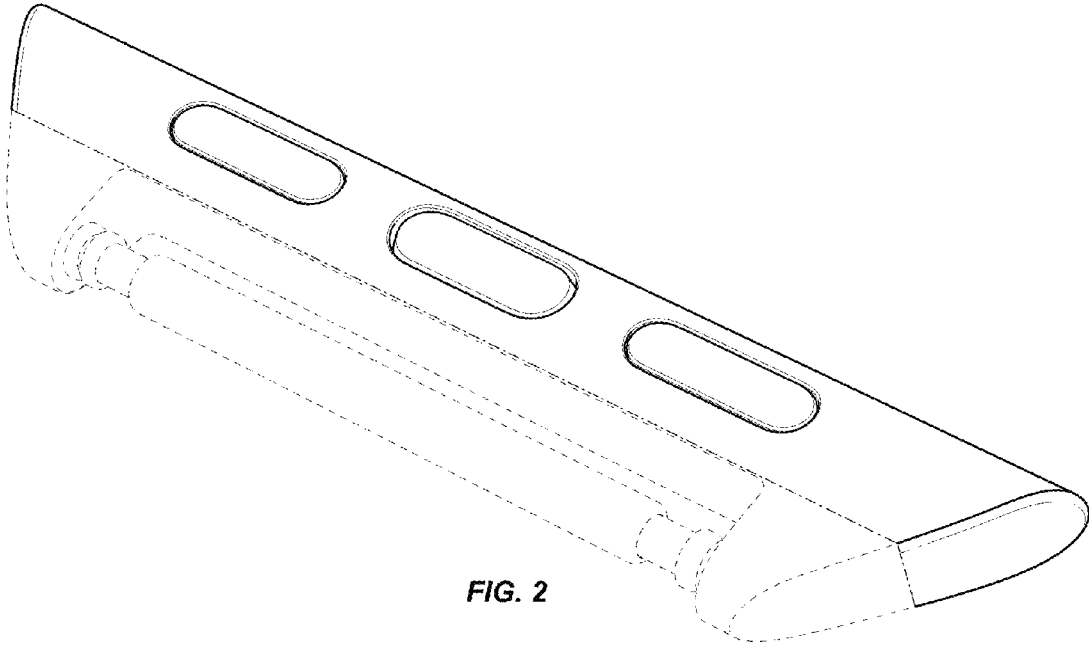


FIG. 2

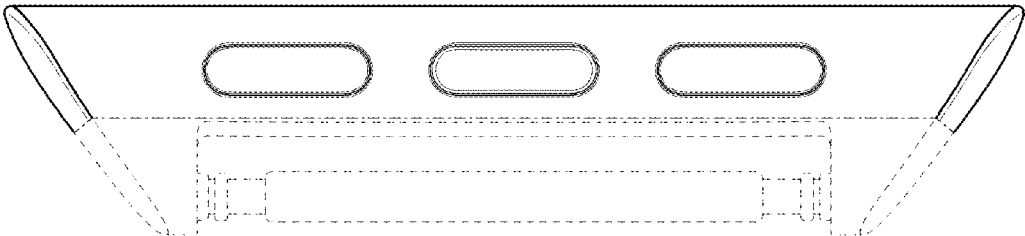


FIG. 3

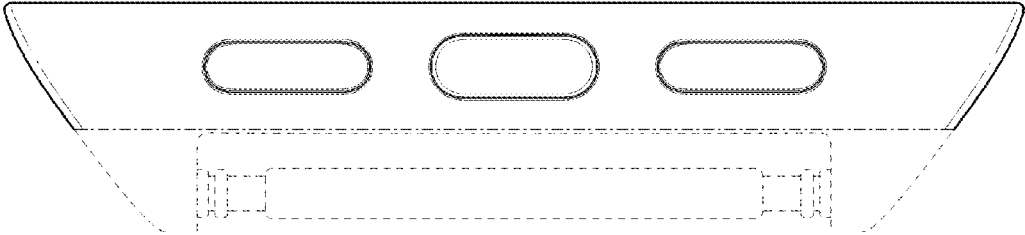


FIG. 4

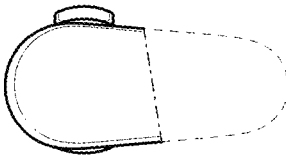


FIG. 5

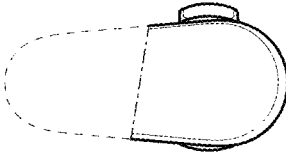


FIG. 6



FIG. 7



FIG. 8